

WOODS MOW'N MACHINE

MZ2252K

872500G

22HP KAW W/52" SIDE DISCHARGE

(S/N 00050 AND ABOVE)

MZ2661K

872502G

26HP KAW W/61" SIDE DISCHARGE

(S/N 00050 AND ABOVE)

**Includes Maintenance
Instructions**

WOODS®

Tested. Proven. Unbeatable.

**MAN0865
REV A 12-2010**

RF4166232

PARTS MANUAL

CALIFORNIA

Proposition 65 Warning

Diesel engine exhaust and some of its constituents are known to the State of California to cause cancer, birth defects and other reproductive harm.

⚠ WARNING

The engine exhaust from this product contains chemicals known to the State of California to cause cancer, birth defects or other reproductive harm.

Californie Proposition 65 Avertissement

Les échappements des moteurs diesel et certains de leurs composés sont reconnus par l'Etat de Californie pour être cancérigènes, provoquer des défauts congénitaux et d'autres dangers en matière de reproduction.

⚠ AVERTISSEMENT

L'émission du moteur de ce matériel contient des produits chimiques que l'Etat de Californie considère être cancérigènes, provoquer des défauts congénitaux et d'autres dangers en matière de reproduction.

California Advertencia

de la Proposición 65

El estado de California hace saber que los gases de escape de los motores diesel y algunos de sus componentes producen cáncer, defectos de nacimiento y otros daños en el proceso de reproducción humana.

⚠ ADVERTENCIA

El estado de California hace saber que los gases de escape de este producto contienen productos químicos que producen cáncer, defectos de nacimiento y otros daños en el proceso de reproducción humana.

CALIFORNIA

Proposition 65 Warning

Battery posts, terminals, wiring insulation, and related accessories contain lead and lead compounds, chemicals known to the State of California to cause cancer and birth defects or other reproductive harm.

WASH HANDS AFTER HANDLING.

IMPORTANT MESSAGE

TO THE DEALER:

Assembly and proper installation of this product is the responsibility of the Woods® dealer. Read manual instructions and safety rules. Make sure all items on the Dealer's Pre-Delivery and Delivery Check Lists in the Set-Up instructions are completed before releasing equipment to the owner.

The dealer must complete the Product Registration online at the Woods Dealer Website or complete the mail-in form included with the Operator's Manual. If using the mail-in form, the dealer is to return the prepaid postage portion to Woods, give one copy to the customer, and retain one copy. *Failure to register the product does not diminish customer's warranty rights.*

TO THE OWNER:

Read the Operator's Manual before operating your Woods equipment. The information presented will prepare you to do a better and safer job. Keep the manual handy for ready reference. Require all operators to read the Operator's Manual carefully and become acquainted with all adjustment and operating procedures before attempting to operate the equipment. Replacement manuals can be obtained from your dealer. To locate your nearest dealer, check the Dealer Locator at www.WoodsEquipment.com, or in the United States and Canada call 1-800-319-6637.

The equipment you have purchased has been carefully engineered and manufactured to provide dependable and satisfactory use. Like all mechanical products, it will require cleaning and upkeep. Lubricate the unit as specified. Observe all safety information in this manual and safety decals on the equipment.

For service, your authorized Woods dealer has trained mechanics, genuine Woods service parts, and the necessary tools and equipment to handle all your needs.

Use only genuine Woods service parts. Substitute parts will void the warranty and may not meet standards required for safe and satisfactory operation. Record the model number and serial number of your equipment in the spaces provided:

Model: _____ **Date of Purchase:** _____

Serial Number: (located below seat near left hand corner) _____

Provide this information to your dealer to obtain correct repair parts.



ALITEC™
BMP®
CENTRAL FABRICATORS®
GANNON®
GILL®
WAIN-ROY®
WOODS®

See MAN0866 for Operator's Manual

TABLE OF CONTENTS	FIGURES	PAGE
SAFETY.....		5
ASSEMBLY AND SETUP		6, 7
MAINTENANCE CHART		8
MAINTENANCE RECORD.....		9
MAINTENANCE		10-16
ADJUSTMENTS		17-21
BELT REPLACEMENT		22
SPECIFICATIONS.....		23-26
PARTS SECTION.....		27
UPPER ENGINE DECK ASSY/CLUTCH	FIGURE 1.....	28, 29
OWER ENGINE DECK ASSY/CLUTCH.....	FIGURE 2.....	30, 31
BUMPER	FIGURE 3.....	32, 33
FUEL TANKS/CONTROL PANEL.....	FIGURE 4.....	34, 35
BRAKES/REAR WHEEL	FIGURE 5.....	36, 37
OIL COOLER.....	FIGURE 6.....	38, 39
HYDRAULICS	FIGURE 7.....	40, 41
HYDROGEAR PUMP	FIGURE 8.....	42, 43
KAWASAKI WIRE HARNESS	FIGURE 9.....	44, 45
SEAT ASSEMBLY & ROPS	FIGURE 10.....	46, 47
FOLDING ROPS KIT.....	FIGURE 11.....	48, 49
STEERING/DECK LIFT.....	FIGURE 12.....	50, 51
CRADLE ASSEMBLY	FIGURE 13.....	52, 53
CRADLE & CASTER ASSEMBLY	FIGURE 14.....	54, 55
52" SIDE DISCHARGE.....	FIGURE 15.....	56, 57
61" SIDE DISCHARGE.....	FIGURE 16.....	58, 59
BELTS-CUTTERDECK.....	FIGURE 17.....	60, 61
DECALS-POWER UNIT.....	FIGURE 18.....	62, 63
DECALS-CUTTERDECKS.....	FIGURE 19.....	64, 65

NOTICE !!!

Unauthorized modifications may present **extreme** safety hazards to operators and bystanders and could also result in product damage.

Woods strongly warns against, rejects and disclaims any modifications, add-on accessories or product alterations that are not designed, developed, tested and approved by Woods Engineering Department. Any Woods product that is altered, modified or changed in any manner not specifically authorized after original manufacture-including the addition of "after-market" accessories or component parts not specifically approved by Woods-will result in the Woods Warranty being voided.

Any and all liability for personal injury and/or property damage caused by any unauthorized modifications, add-on accessories or products not approved by Woods will be considered the responsibility of the individual(s) or company designing and/or making such changes. Woods will vigorously pursue full indemnification and costs from any party responsible for such unauthorized post-manufacture modifications and/or accessories should personal injury and/or property damage result.



This Operator's Manual should be regarded as part of the machine. Suppliers of both new and second-hand machines must make sure that this manual is provided with the machine.



¡LEA EL INSTRUCTIVO!

Si no lee Ingles, pida ayuda a alguien que si lo lea para que le traduzca las medidas de seguridad.

WOODS

Woods Equipment Company,
Oregon, Illinois, U.S.A.

MODEL NUMBER

SERIAL NUMBER



This symbol means:
ATTENTION!
BECOME ALERT!

Your safety and the safety of others is involved.

Signal word definitions:

The signal words below are used to identify levels of hazard seriousness. These words appear in this manual and on the safety labels attached to Woods machines. For your safety and the safety of others, read and follow the information given with these signal words and/or the symbol shown above.

DANGER

DANGER indicates a hazardous situation which, if not avoided, **WILL** result in death or serious injury.

WARNING

WARNING indicates a potentially hazardous situation which, if not avoided, **COULD** result in death or serious injury.

CAUTION

CAUTION indicates a hazardous situation which, if not avoided, **COULD** result in minor or moderate injury. It may also be used to alert against unsafe practices or property damage.

CAUTION

CAUTION used without the safety alert symbol indicates a potentially hazardous situation which, if not avoided, **MAY** result in property damage

MODEL NUMBER: This number appears on sales literature, technical manuals and price lists.

SERIAL NUMBER: This number appears only on your mower. It contains the model number followed consecutively by the serial number. Use this number when ordering parts or seeking warranty information.

TOOLS REQUIRED FOR ASSEMBLY

- Wrecking bar
- Claw hammer
- Ratchets: 3/8", e
- Sockets: 9/16", 3/4"
- Wrenches: 3/8", 9/16", 3/4"
- Straight edge
- Tire pressure gauge
- Blocks (for deck leveling)

NOTE: All references below to the "right" or "left" are with respect to an operator at the controls.

1. UNCRATE UNIT

Discard packing materials. Remove and discard shipping brackets. Tighten caster wheel axle bolts against caster axle spanner bushings.

2. Set rear tire pressures to 12 lbs/in² (1.0 kg/cm²). Tires are overinflated for shipping. Front tires are run flat tires

3. DECK LEVELING

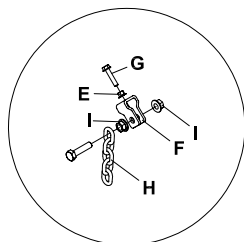
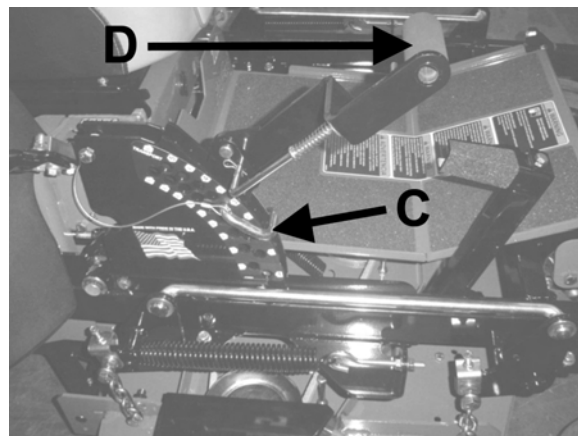
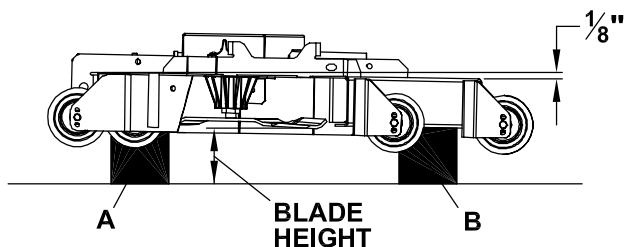
- a) Park the machine on a smooth, level surface. Raise the deck to the transport position.
- b) Lower the deck onto a pair of equal height blocks **A** under the rear corners of the deck. Place another pair of adjustable blocks **B** under the front of the deck so that the deck top is pitched forward 1/8".

NOTE: The front and rear of the deck are at different heights.

- c) Measure the height of the blade cutting edge above the ground. Remove pin **C** and set the height of cut lever **D** to that height.
- d) Loosen nuts **I** at all four corners of the deck.

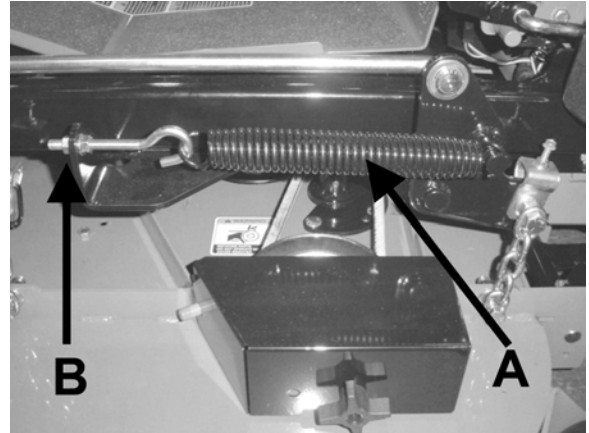
NOTE: This will relieve tension on chains **H**.

- e) Loosen the jam nuts **E** on the height of cut clips **F** and adjusting screws **G**. Turn the adjusting screws **G** until the play is taken out of the chains **H** at all four corners. Tighten the jam nuts **E** against the clips **F** and at the adjusting screws **G**. Retighten nuts **I** at this time.



6. COUNTERBALANCE SPRINGS

- a) Raise the cutterdeck all the way.
- b) Adjust the spring **A** with nut **B**:
Approximately 1" of threads should be extending past the spring mounting bracket at nut **B**.
The springs may be tightened or loosened from this point according to personal preference.



7. FINAL PREPARATIONS

- Check the engine and hydraulic oil levels. Top up with the correct oil if necessary. Use SAE 10W30 motor oil for the engine. Use fresh, clean SAE 15W40 or SAE 20W50 motor oil or SAE 15W50 synthetic motor oil for the hydraulic system.
- Remove the battery from the machine. Fill the battery to the bottom of the vent wells with acid and trickle charge for several hours.

⚠ WARNING

Battery acid is caustic and fumes are explosive and can cause serious injury or death.

Use insulated tools, wear protective glasses or goggles and protective clothing when working with batteries. Read and obey the battery manufacturer's instructions.

Be certain the ignition switch is OFF and the key has been removed before servicing the battery.

- a) Verify battery polarity before connecting or disconnecting the battery cables.
 - b) When installing the battery, always assemble the RED, positive (+) battery cable first and the ground, BLACK, negative (-) cable last.
 - c) Tighten cables securely to battery terminals and apply a light coat of silicone dielectric grease to terminals and cable ends to prevent corrosion. Keep terminal covers in place.
- Read Operation and Safety Manual before starting.
 - Run engine at full RPM for 5 minutes before engaging blades to allow the engine to be fully lubricated before load is applied.
 - Check the hydrostat neutral adjustment. Neutral is set at the factory but may require readjustment if air trapped during the initial oil fill has worked out of the system. See adjustments section later in this manual.
 - Do not use the machine without an approved grass collector, the grass discharge chute or mulching plates correctly fitted.

MAINTENANCE CHART

WOODS

MAINTENANCE OPERATION	Maintenance is an ongoing job. These intervals are maximum times between maintenance operations. Perform more often under severe conditions.						
	FIRST 5 HOURS	DAILY	EVERY 25 HOURS	EVERY 50 HOURS	EVERY 100 HOURS	EVERY 200 HOURS	EVERY 500 HOURS
ENGINE							
Consult the engine manual for additional information and instructions							
Check/Top Off Engine Coolant Level (Where Applicable)		X					
Check/Top Off Oil Level		X					
Check For Leaks		X					
Clean Air Intake Screen		X					
Clean Air Cleaner Precleaner			X*				
Clean Air Cleaner Element					X	X**	
Clean Cooling Fins					X		
Change Oil And Filter	X	See engine manufacturer's manual					
Check/Replace Spark Plugs						X	
* N/A IF EQUIPPED WITH HEAVY DUTY CYCLONIC AIR CLEANER **IF EQUIPPED WITH HEAVY DUTY CYCLONIC AIR CLEANER							
HYDRAULICS							
Check For Leaks		X					
Check/Top Off Oil Level					X		
Change Oil And Filter	X						X
MACHINE							
Check Interlock Operation		X					
Check Tire Pressures		X					
Check/Top Off Battery					X		
Lubricate All Points						X	X

NOTES

GENERAL	DATE	HRS	DATE	HRS	DATE	HRS	DATE	HRS	DATE	HRS	DATE	HRS
Check Tire Pressures												
Lubricate All Points												
Check Nuts & Bolts												
ENGINE												
Check Engine Coolant Level (Where Applicable)												
Check Oil Level												
Change Oil												
Clean Air Cleaner Element												
Clean Cooling Fins												
Replace Air Cleaner Element												
Clean & Gap Spark Plugs												
NOTE: After first 5 hours of operation replace engine oil, hydraulic oil and both filters.												

CHECK DAILY

Operator Presence Interlock System - Start Operation

For the engine to crank, the parking brake must be on, the PTO (blades) off and traction levers in the neutral lock position. Sit in the seat and check, one by one, if the engine will crank with the parking brake off, the blades on, and either traction lever out of neutral lock. Also, make sure engine coolant temperature gauge light flashes upon turning key to the **ON** position.

Operator Presence Interlock System - Run Operation

The operator must be in the seat for the engine to run with the parking brake off, the traction levers moved out of the neutral lock position, or the blades on. To check:

1. Start the engine and run at 1/2 throttle with the operator on the machine but raised off the seat.
2. One by one: move the parking brake to the OFF position, traction levers out of the neutral lock position (check each independently), and turn the blades on. Each check should kill the engine after 1/2 second. (A 1/2 second delay is built into the system to prevent engine cutout when traversing rough terrain.)

Repair machine before using if the Operator Presence Interlock System does not operate correctly in start or run. Contact your authorized BOB-CAT dealer.


Hardware

Tighten any nuts and bolts found loose. Replace any broken or missing cotter pins. Repair any other problems before operating.

Tire pressure

Rear tires should be kept inflated at 12 lbs/in² (1.0 kg/cm²). Improper tire inflation can cause rapid tire wear and poor traction. Uneven inflation can cause uneven cutting.

BATTERY

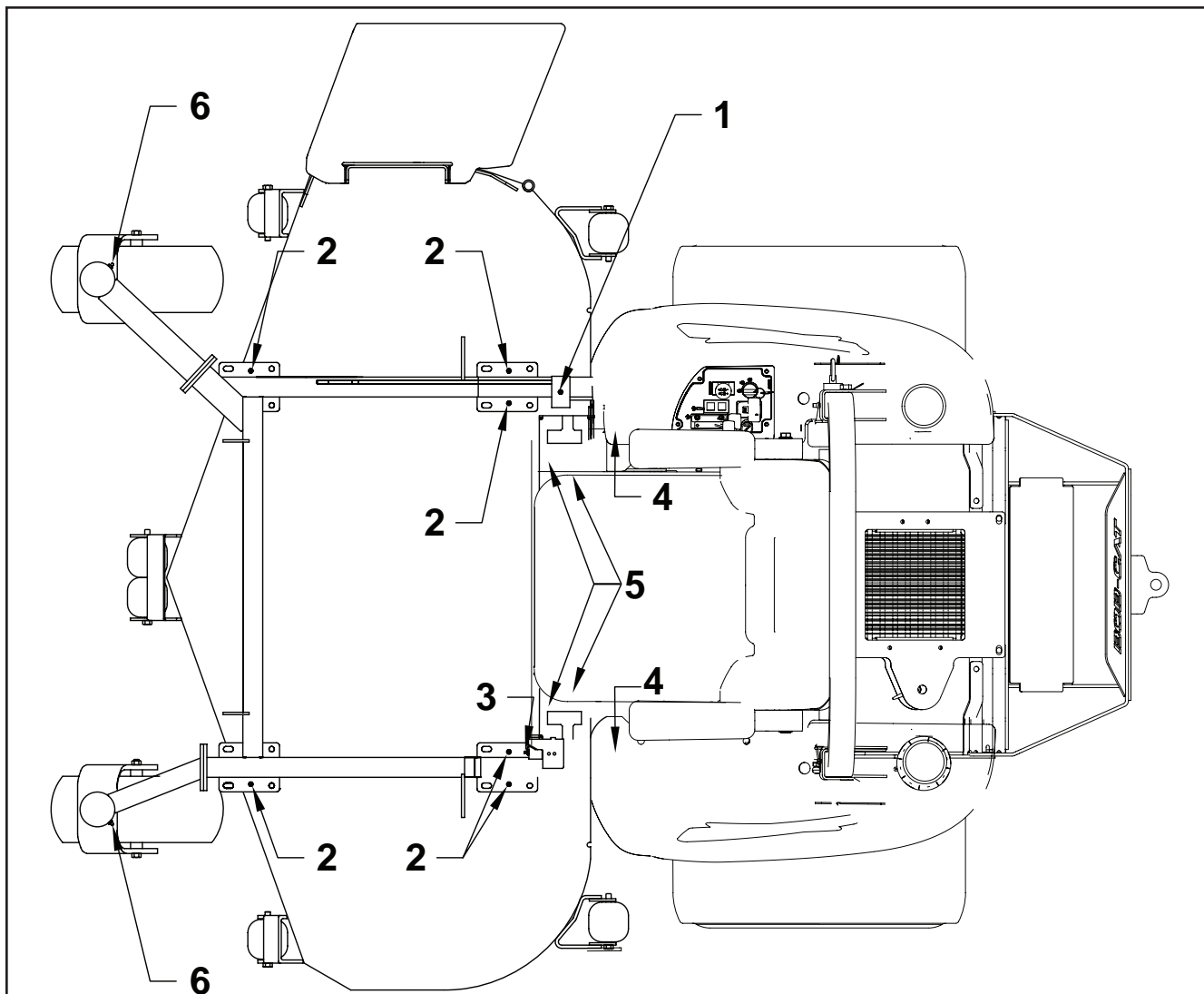
 **WARNING** Battery acid is caustic and fumes are explosive and can cause serious injury or death.

Use insulated tools, wear protective glasses or goggles and protective clothing when working with batteries. Read and obey the battery manufacturer's instructions.

Be certain the ignition switch is OFF and the key has been removed before servicing the battery.

1. Verify battery polarity before connecting or disconnecting the battery cables.
2. When installing the battery, always assemble the RED, positive (+) battery cable first and the ground, BLACK, negative (-) cable last.
3. When removing the battery, always remove the ground, negative (-) cable first and the red, positive (+) cable last.

4. Check the electrolyte level every 100 hours of operation.
5. Clean the cable ends and battery posts with steel wool. Use a solution of baking soda and water to clean the battery. Do not allow the solution to enter into the battery cells.
6. Tighten cables securely to battery terminals and apply a light coat of silicone dielectric grease to terminals and cable ends to prevent corrosion. Keep terminal covers in place.



LUBRICATION

Every 50 hours of operation, lubricate the following points (1-4) with grease:

1. Deck lift rockshaft (1 point)
2. Deck lift pivots (6 points)
3. Brake lever pivot (1 point)
4. Push arms (2 points located at rear of cutterdeck under each fuel tank)
5. Isolation mounts (4 points located under seat at front of machine.)
6. Caster wheel pivots (2 points)
(Lubricate every 500 hours or once a year)

NOTE ON BLADE SPINDLES - The blade spindles on these machines use a superior sealed bearing that does not require relubrication.

HYDRAULIC SYSTEM

Fluid level in the hydraulic system should be checked after the first 5 hours of operation, and every 100 hours thereafter, or when a leak has occurred. If the fluid is low, check all components for leaks.

To check, remove reservoir cap **M**. The fluid level should be at the bottom of the filler tube. If low, top up (do not overfill). Use one of the oils listed below:

- SAE 15W40 motor oil
- SAE 20W50 motor oil
- 15W50 synthetic motor oil

AFTER FIRST FIVE (5) HOURS

1. Remove plug **N** to drain hydraulic reservoir. Dispose of used oil in accordance with local requirements.
2. Clean and replace the plug.
3. Change hydraulic oil filter **G**.
4. Fill the reservoir with fresh oil to the bottom of the reservoir filler tube, using an oil from the list above. Do not overfill.

PERIODIC OIL CHANGES

Change the hydraulic fluid and hydraulic filter after each 500 hours of operation using the same procedure given above.

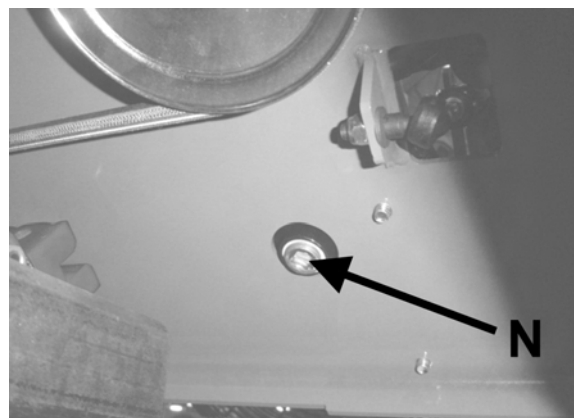
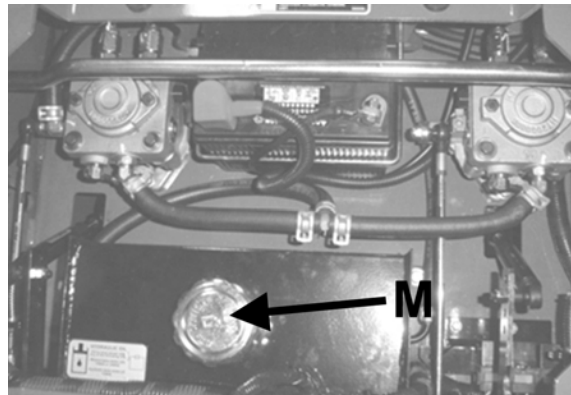
NOTES:

Before servicing the hydraulic system, stop the engine, disconnect spark plug wires and disengage the PTO.

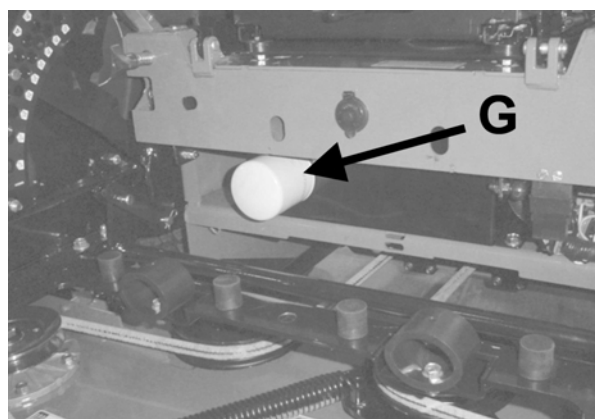
- After any hydraulic line is opened, plug or cap it promptly to reduce the risk of contamination.
- Do not use sealant tape on hydraulic pipe fittings. Use a liquid sealant that will dissolve into the system.
- Make sure all hydraulic connections are tight and hydraulic hoses and lines are in good condition before applying pressure to system.

⚠ WARNING

The machine's hydraulic system operates under high pressure. When checking for leaks, do not use your hands to attempt to find a leak. Instead, use cardboard or paper. Escaping hydraulic fluid can be under sufficient pressure to penetrate skin and cause serious injury. If hydraulic fluid is injected into the skin, it must be promptly removed by a doctor familiar with this form of injury or gangrene may result.



View from below machine



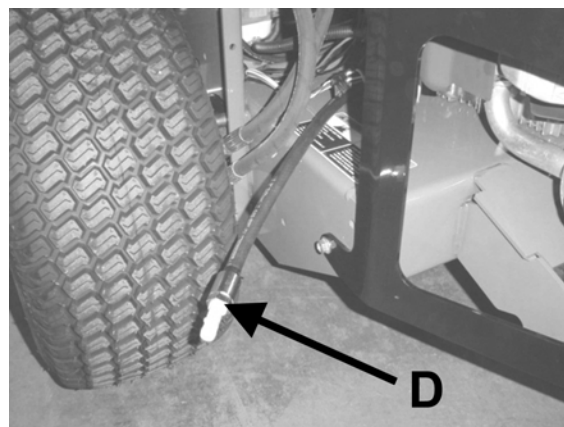
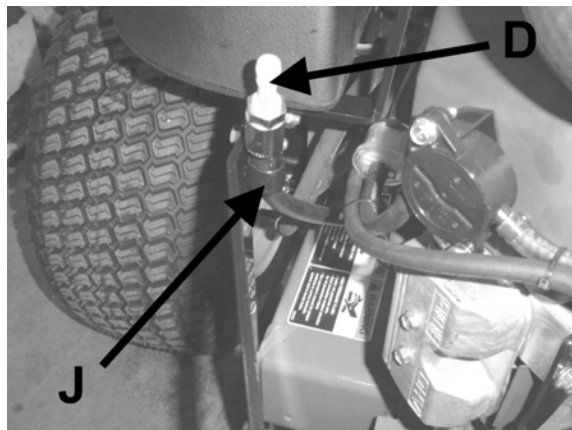
ENGINE OIL

Do not perform engine maintenance without the engine off, spark plug wires disconnected and PTO disengaged.

AFTER FIRST FIVE (5) HOURS

While the engine is warm:

1. Release the oil drain hose assembly from the engine clip **J**. Lay hose assembly over the frame edge.
2. Remove the rubber cap **D** from the tip of the hose assembly and turn the drain valve to allow oil to drain from the engine. Dispose of used oil in accordance with local requirements.
3. Clean drain valve and tighten the plastic portion of the drain valve back into the metal portion of the valve. Replace rubber cap over the tip of the valve. Replace hose assembly back into engine clip.
4. Change oil filter.
5. Fill the crankcase with fresh oil to the full mark. Do not overfill. See engine manual for oil specifications.



DAILY

1. Check oil level with the dipstick.
2. If oil is needed, add fresh oil of proper viscosity and grade. See engine manual for oil specifications. Do not overfill.
3. Replace dipstick before starting engine.

PERIODIC OIL CHANGES

1. See engine manual for oil and filter change intervals after the break-in period.
2. Follow instructions for first oil change, above.

SPARK PLUGS

Remove each plug and check condition.

- Good operating conditions are indicated if the plug has a light coating of grey or tan deposit.
- A white blistered coating indicates overheating. A black coating indicates an “over rich” fuel mixture. Both may be caused by a clogged air cleaner or improper carburetor adjustment.
- Do not sandblast, wire brush or otherwise attempt to repair a plug in poor condition. Best results are obtained with a new plug.
- Set plug gap as specified in engine manual..

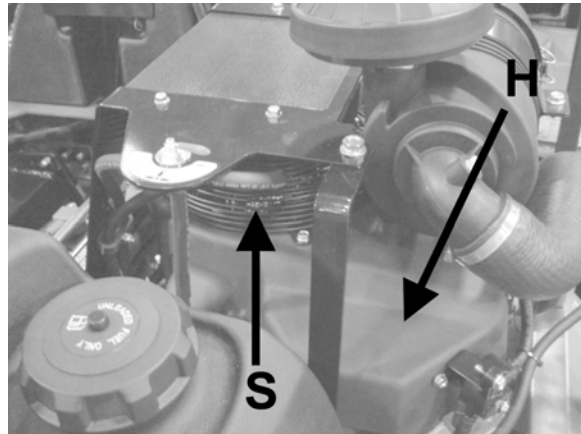
FUEL FILTER

An inline fuel filter is located in the fuel supply line. Inspect at every oil change to make sure it is clean and unobstructed. Replace if dirty.

ENGINE COOLING

Continued operation with a clogged cooling system will cause severe overheating and can result in engine damage.

- **Daily:** Clean air intake screen **S** on air cooled engines and **T** on liquid cooled engines.
- **Every 100 hours:** Clean cooling fins beneath blower housing **H** with reference to information in the engine manufacturer's manual.

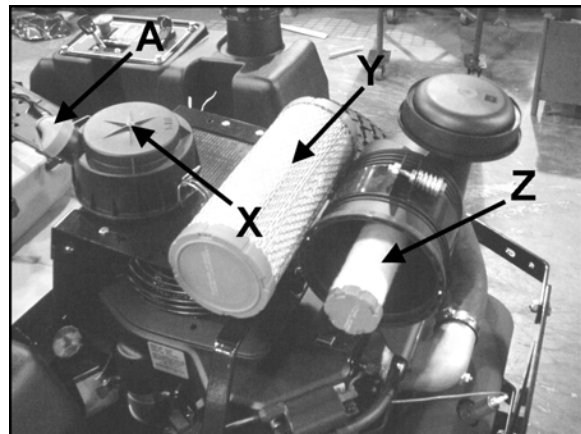


HEAVY DUTY CYCLONIC AIR CLEANER

Clean and replace the air cleaner element as specified in the service chart. Uneven running, lack of power or black exhaust fumes may indicate a dirty air cleaner.

To replace air cleaner elements:

1. Unclamp end cover **X** and remove existing cleaner elements.
2. Insert new elements **Y** and **Z** and replace cover. Ensure the breathing port **A** is pointing down and towards the front of the tractor.



CLEANING MACHINE

Clean the machine after use. Compressed air is recommended. Do not use a pressure washer. The machine will run cooler and last longer if kept free of clippings and other debris. A clean machine also reduces the risk of fire due to accumulation of combustible debris and chaff.

Brush or blow clippings and debris off the cutterdeck and engine deck. DO NOT use a pressure washer.

WASHING MACHINE

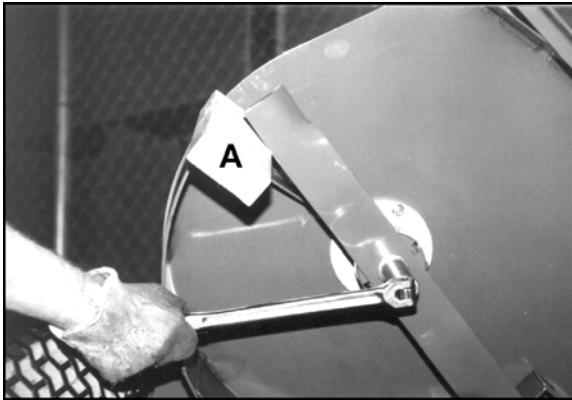
CAUTION: Improperly washing a machine can cause water to enter bearings and other components. This can greatly reduce component life.

- Do not use a pressure washer. Do not direct water at bearings or seals. High pressure water can blow past seals and enter sealed bearings.
- Allow the machine to cool down before washing. Water on a warm machine can be sucked into sealed bearings as they cool.
- Avoid getting electrical connections wet. Water can cause electrical faults and corrosion of electrical components.

BLADE REMOVAL

Follow these instructions to prevent injury during blade removal:

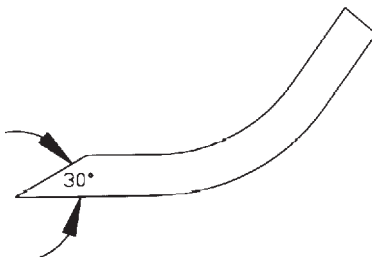
1. Loosen with a box wrench or a socket and long breaker bar. To gain additional leverage, slip a long pipe or thick-walled tube over breaker bar or wrench.
2. Insert wood block **A** as shown, with grain perpendicular to blade, to prevent blade from turning when loosening.
3. Wear thickly padded gloves. Keep hands clear of blade path. Blades may rotate when bolt releases.



SHARPENING

Blades may be sharpened by filing or grinding.

- Inspect blades before sharpening.
- Replace bent or cracked blades.
- Replace blades when the lift portion has worn thin.
- Maintain cut angle at 30°.
- Do not overheat blades when sharpening.
- Always use BOB-CAT blades. Use of another manufacturer's blades may be dangerous.



BLADE BALANCE

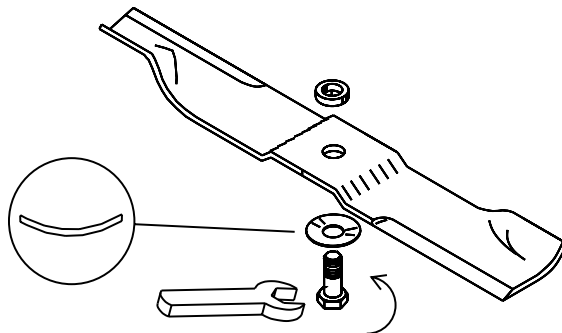
Blade balance must be maintained at 5/8 oz-in (19.4 g-cm) or less. Failure to keep blades balanced causes excess vibration, wear, and shortened life of most components of the machine.

To balance a blade:

1. Sharpen blade first.
2. Balance the blade at the center.
3. Attach a 1/8 oz (3.9 g) weight at a distance 5" (127 mm) from center on the light end. This should make the light end the heavy end:
 - If it does, the blade is balanced.
 - If does not, file or grind the heavy end until the addition of the weight makes the light end the heavy end.

BLADE INSTALLATION

1. Wear thickly padded gloves to prevent cuts from the sharp blade.
2. Insert the blade bolt, in order, through the conical washer (cup side toward the blade, as shown), the blade, and the blade spacer.
3. Install assembly on the blade spindle.
4. Torque the blade bolt to 70 ft-lbs.



BELTS

All belts are tensioned by spring loaded idlers. No adjustment is required.

DECK LEVELING

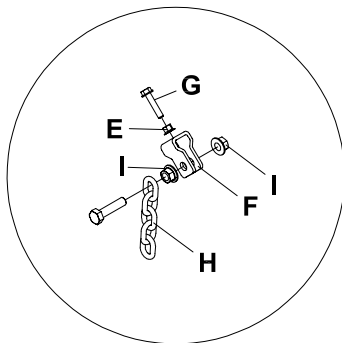
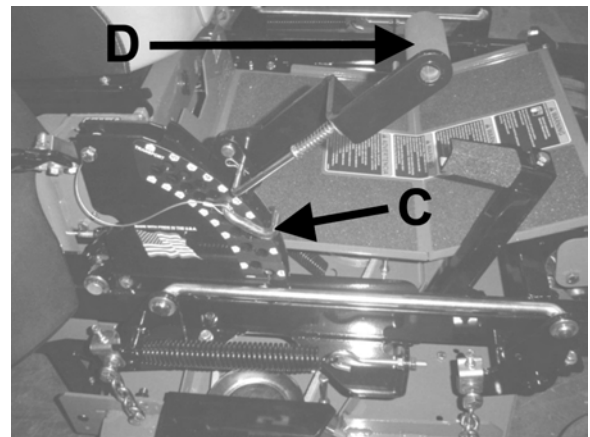
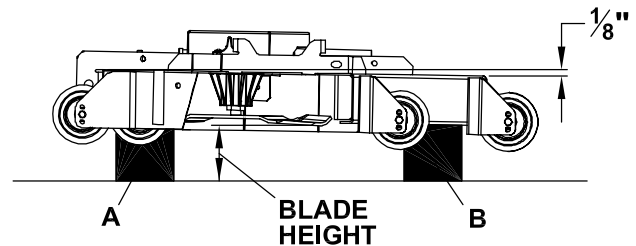
- Park the machine on a smooth, level surface. Raise the deck to the transport position.
- Lower the deck onto a pair of equal height blocks **A** under the rear corners of the deck. Place another pair of adjustable blocks **B** under the front of the deck so that the deck top is pitched forward 1/8".

NOTE: The front and rear of the deck are at different heights.

- Measure the height of the blade cutting edge above the ground. Remove pin **C** and set the height of cut lever **D** to that height.
- Loosen nuts **I** at all four corners of the deck.

NOTE: This will relieve tension on chains **H**.

- Loosen the jam nuts **E** on the height of cut clips **F** and adjusting screws **G**. Turn the adjusting screws **G** until the play is taken out of the chains **H** at all four corners. Tighten the jam nuts **E** against the clips **F** and at the adjusting screws **G**. Retighten nuts **I** at this time.



HEIGHT OF CUT

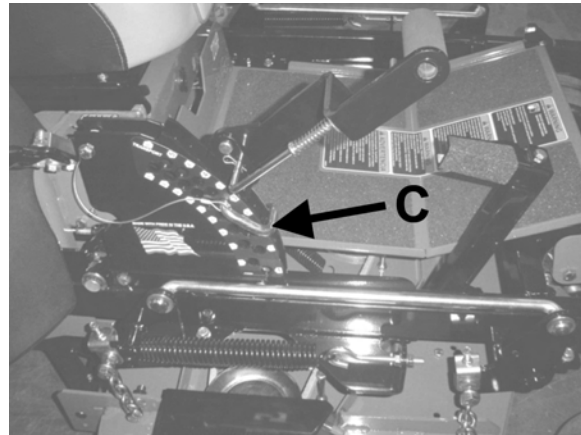
The height of cut is set by moving height of cut pin **C** to the hole designated for the height of cut desired.

To change the height of cut:

1. Lift the deck to the highest position.
2. Move pin **C** to the selected hole.
3. Lower the deck until the lift lever is stopped by the pin.

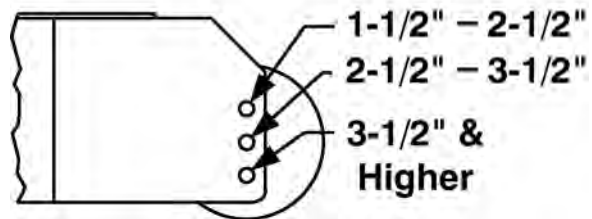
NOTES:

- Height of cut may vary due to the amount of tread on the tires, tire diameter or inflation pressure.
- For best results, adjust the rear deck rollers for the height of cut to be used (see below).



REAR DECK ROLLERS

The rear outside deck rollers are adjustable up and down to provide improved deck flotation and scalping protection at various heights of cut. They are not intended to ride continuously on the ground. Adjust no closer than 3/8" (10mm) to the ground.

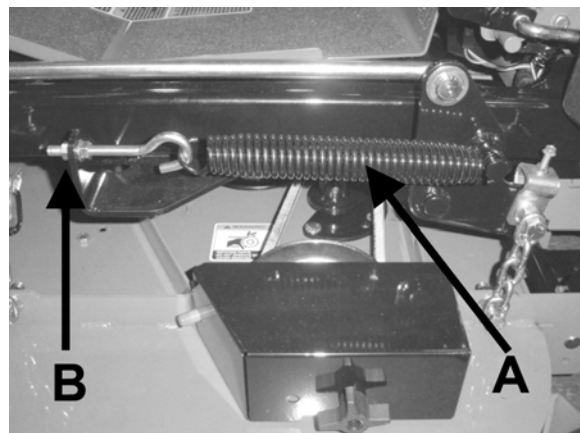


Height of cut ranges for roller adjustment

COUNTERBALANCE SPRINGS

1. Raise the cutterdeck all the way.
2. Adjust the spring **A** with nut **B**: The spring length should be set at approximately 8-3/4", inside loop to inside loop, when in transport position.

The springs may be tightened or loosened from this point according to personal preference.



CONTROL LEVERS

There are two mounting positions for the control levers, upper and lower. The lower position works well for most people. Taller operators may need the upper position.

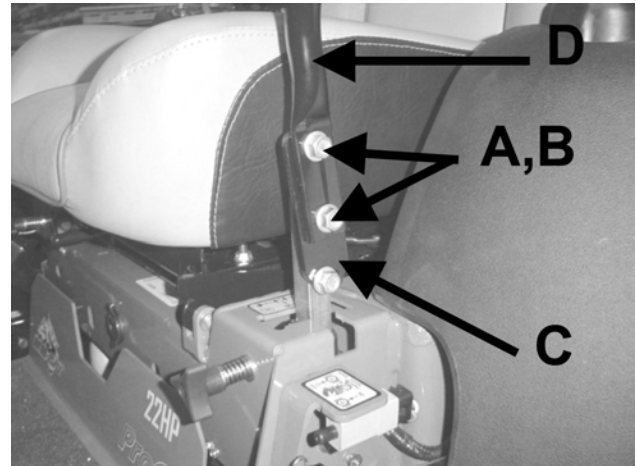
To adjust the height of the control levers:

- Remove bolts **A** and nuts **B**.
- Align holes in control lever **D** with appropriate holes in traction lever bracket **C**.
- Install bolts **A** and nuts **B**.

The upper mounting hole for the control levers is slotted to allow fore-aft adjustment and to allow alignment of the levers.

To adjust or align the control levers:

- Loosen nuts **B**.
- Adjust control lever position.
- Tighten nuts **B**.



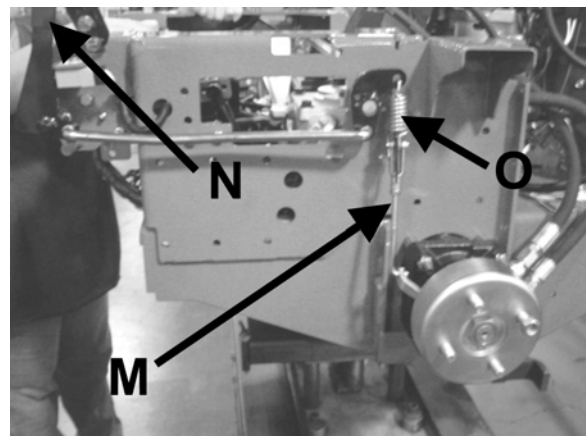
PARKING BRAKE

Park machine on a smooth level surface.

Support the machine with the rear wheels off the ground, using jack stands or equivalent. **DO NOT** rely on mechanical or hydraulic jacks.

1. Remove rear wheels.
2. Measure spring length **O** with parking brake **N** in the OFF position.
3. Move parking brake **N** to the ON position and measure length of spring **O** again. When spring deflects 3/8" it is properly adjusted.
4. If adjustment is required, return parking brake **N** to the OFF position.
5. Disconnect one end of rod **M** at the brake and loosen jam nut.
6. Adjust rod **M** in or out as required until 3/8" deflection in brake spring **O** is achieved with parking brake **N** in the ON position.
7. Reconnect rod **M** and retighten jam nut.
8. Repeat steps 2-7 on opposite side of machine.
9. Replace wheels and tighten wheel nuts.

NOTE: Parking brake must be in the OFF position to properly seat brake drums.



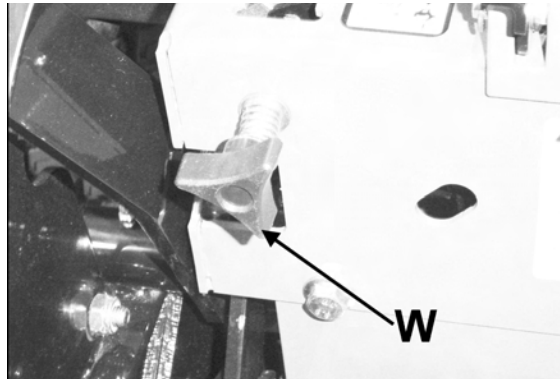
Parking brake assembly (tire and deck not shown for clarity - brake in ON position).

This adjustment will cause the brake springs to stretch 3/8" when the parking brake is in the ON position, providing the correct parking brake force without overloading the brake arm.

TRACKING HANDLES

An adjustment is provided to allow the operator to adjust machine tracking during operation.

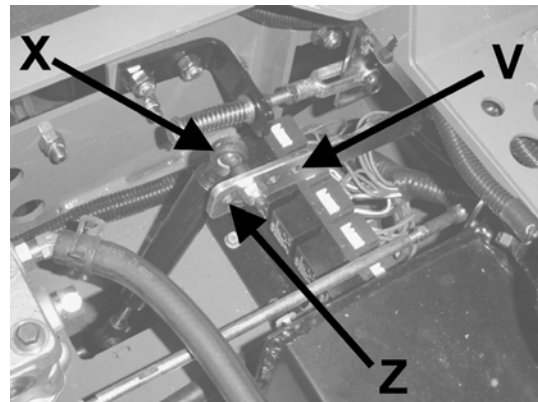
1. Turn knob **W** clockwise to shorten control lever travel.
2. Turn knob **W** counter-clockwise to increase control lever travel.



DAMPERS

Different damper mounting holes have been provided for various operator preferences with control lever motion.

1. For a stronger resistance feel, mount the dampers **X** in the outer most hole **Z** of the motion control weldment.
2. For a lighter resistance feel, mount the dampers **X** in the inner most hole **V** of the motion control weldment.

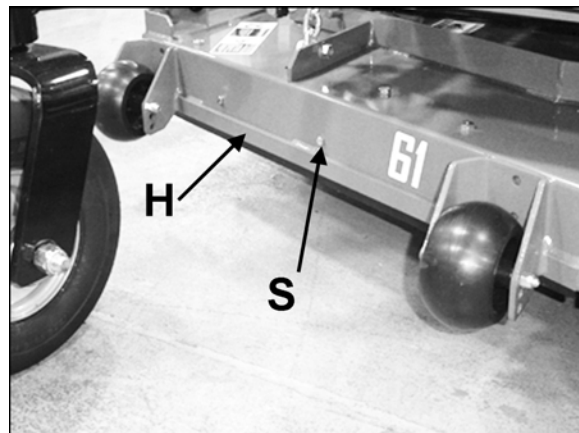


FRONT DECK LIP

Adjustable front deck lips have been provided on 52 in. and 61 in. cutterdecks for various cutting conditions.

To revise per conditions:

1. Loosen the front bolts **S**.
2. Adjust height of **H**.
3. Retighten **S** once you have desired height.



HYDROSTAT ADJUSTMENTS

A turnbuckle-style hydrostat neutral adjustment is provided.

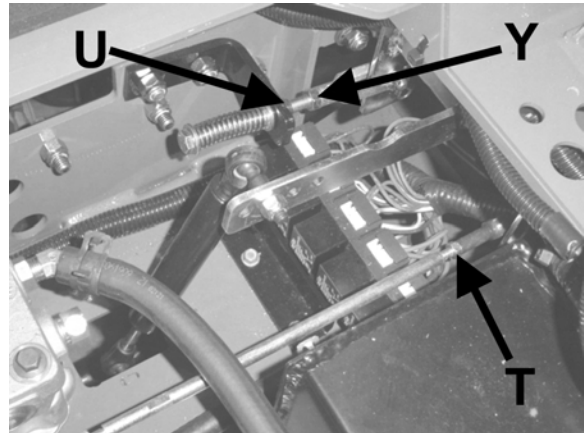
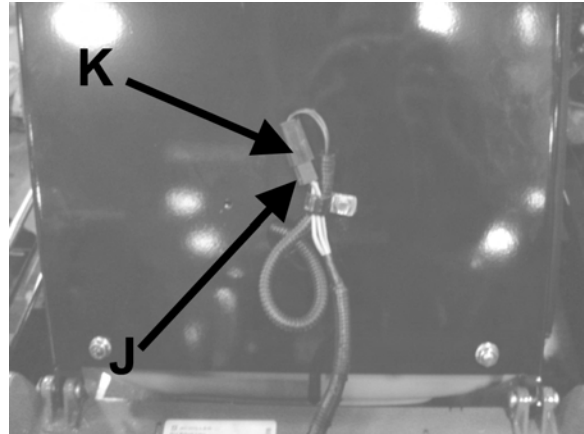
Neutral:

1. Support the machine with the rear wheels off the ground. Use jackstands or equivalent support. Do not rely only on mechanical or hydraulic jacks.
2. Move the traction levers out into the neutral lock position and raise the seat.
3. Disconnect the seat switch wire **K** and temporarily connect the two terminals with jumper wire **J** as shown.
4. Start the engine and run at low speed.
5. Loosen jam nuts **T** at both ends of the control rod.
6. Rotate the control rod until the corresponding wheel stops turning. Lock the jam nuts. Run the engine up to high idle to check the adjustment. Readjust if necessary.
7. Repeat steps 5 and 6 for the opposite side.
8. Remove the jumper wire **J** and reconnect the seat switch.

Reverse Return:

1. Move traction levers out to the neutral lock position and raise the seat.
2. Locknut **U** should be run on the bolt as far as it will go.
3. Loosen jam nut **Y**. Adjust the clevis yoke by turning the head of the bolt until the clevis pin just makes contact with the rear of the slot in the lever it connects with. Tighten jam nut **Y**.
4. Repeat steps 2 and 3 for the opposite side.

NOTE: A slight creep in reverse is acceptable provided the wheel does not turn and the hydrostat pump does not whine when the parking brake is on.



Right side adjustments

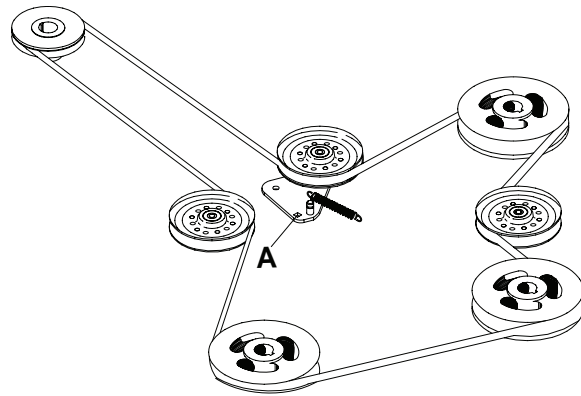
Note: Always use WOODS, Inc. replacement belts, not general purpose belts. WOODS, Inc. belts are specially designed for use on commercial mowers and will normally last longer.

CUTTERDECK BELT

1. Tilt floorplate all the way forward.
2. Set the cutterdeck in a middle height-of-cut position.
3. Use a 3/8" ratchet and extension to back tensioning idler off to remove belt from idler. Remove belt from cutterdeck pulleys.

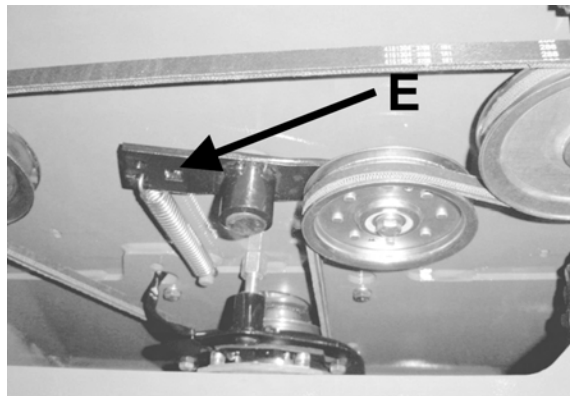
NOTE: Use the 3/8" ratchet in the square hole **A** on the idler.

4. Remove belt from clutch pulley.
5. Install the new belt by performing these steps in reverse order.



PUMP-DRIVE BELT

1. Remove engine-cutterdeck belt (see engine-cutterdeck belt replacement).
2. Attach an extension to a 3/8" drive ratchet. Insert the ratchet extension in the square hole of the pump drive idler arm. Use the ratchet handle to rotate it enough to remove the pump drive belt.
3. Install a new pump drive belt in the same manner as it was removed.
4. Re-install engine-cutterdeck belt (see engine-cutterdeck belt replacement).



POWER UNITS

ENGINES:

Construction: Aluminum block with cast-in cast iron sleeves. Aluminum head.

Configuration: 4-stroke, vertical shaft, V-twin cylinder, overhead valve, air-cooled.

DRIVE SYSTEM:

Full hydrostatic pump and wheel motor combination for independently controlled drive wheels.

Pump: Hydrogear 12cc variable displacement piston pump.

Motors: Parker displacement MB series. Direct drive 1-1/4" (31.8mm) diameter output shaft.

Turn Radius: True Zero

OPERATOR PRESENCE**INTERLOCK SYSTEM:**

Start: The PTO (blades) must be off, traction levers in neutral lock, and parking brake on for engine to crank.

Run: Operator must be in seat to take parking brake off, to move traction levers out of the neutral lock position, or to turn the PTO (blades) on or the engine will kill. The parking brake must be off for the traction levers to move out of the neutral lock position.

The operator may leave the seat with the engine running if the parking brake is on, the PTO (blades) is off, and the traction levers are in the neutral lock position. A time delay eliminates annoying engine cutout from operation over rough terrain.

WEIGHT:

1256 lbs (570 kg) w/52" deck

1293 lbs (587 kg) w/61" deck

CONTROLS:

Throttle; choke; power takeoff (PTO) clutch switch; traction levers; parking brake lever; lift lever.

FUEL SYSTEM:

One tank on each side of operator, each with a shut-off (1/4 turn). Total capacity 14 gallons (52.9 liters). Fuel selector/shutoff switch on rear cooler mounting bracket (1/4 turn). Replaceable fuel filter.

MAXIMUM GROUND SPEEDS:

Forward: 11.5 mph (18.5 km/h)

Reverse: 4 mph (6.4 km/h)

WHEELS & TIRES:**Drive wheels:**

872500G: 23 X 10.5-12 4-Ply Turf Tread Tires

872502G: 24 X 12.00-12 4-Ply Turf Tread Tires

Casters: 13 X 6.5-6 No-Flat tires

Pressure: 14 p.s.i. (1 kg/cm²)

BRAKING:

Parker brakes. Spring applied for overload protection.

SEAT:

High back, foam padded full suspension seat with standard armrests. Fore and aft adjusters, hinged for easy tilt-up access to pumps and battery. Internally mounted seat switch.

ENGINES		
MODEL NUMBERS	872500G	872502G
MANUFACTURER	Kawasaki	Kawasaki
MODEL	FX651V	FX703V
CYLINDERS	2	2
COOLING	Air	Air
BORE/STROKE	3.1 X 3.0" (78X76mm)	3.1 X 3.0" (78X76mm)
DISPLACEMENT	44.3 cu. in. (726cc)	44.3 cu. in. (726cc)
COMPRESSION	8.2:1	8.2:1
OUTPUT POWER	22 hp (16.4kw) @ 3600rpm	26 hp (19.4kw) @ 3600rpm
OUTPUT TORQUE	40.0 ft-lb(54.2J) @2200 rpm	42.1 ft-lb(55.4J) @ 2400 rpm
LUBRICATION	FULL PRESSURE	FULL PRESSURE
GOVERNOR	Mechanical	Mechanical
AIR CLEANER	Heavy Duty Cyclonic	Heavy Duty Cyclonic
IGNITION SYSTEM	Electronic	Electronic
CHARGING SYSTEM	15 amp, regulated	15 amp, regulated
BATTERY	BCI group U1	BCI group U1
FUSES	Two, 20 amp blade	Two, 20 amp blade
FUEL CONSUMPTION @ MAX LOAD/SPEED		

GENERAL	DATE	HRS	DATE	HRS	DATE	HRS	DATE	HRS	DATE	HRS	DATE	HRS
Check Tire Pressures												
Lubricate All Points												
Check Nuts & Bolts												
ENGINE												
Check Engine Coolant Level (Where Applicable)												
Check Oil Level												
Change Oil												
Clean Air Cleaner Element												
Clean Cooling Fins												
Replace Air Cleaner Element												
Clean & Gap Spark Plugs												
NOTE: After first 5 hours of operation replace engine oil, hydraulic oil and both filters.												

CUTTERDECKS		
MODEL NUMBER	872500G	872502G,
TYPE	Side Discharge	Side Discharge
CUTTING WIDTH	52.5" (133 cm)	61" (155 cm)
WIDTH	N/A	N/A
WIDTH (CHUTE UP)	56.25" (143 cm)	62" (157 cm)
WIDTH (CHUTE DOWN)	64.5" (164 cm)	73" (185 cm)
BLADE	high lift (low lift optional)	high lift (low lift optional)
NUMBER OF BLADES	3	3
BLADE LENGTH	18" (46 cm)	21" (53 cm)
BLADE THICKNESS	.205" (5.2 mm)	0.25" (6.35 mm)
TIP SPEED	18585 ft/min 5665 m/min @ 3600 Engine RPM	18850 ft/min 5745 m/min @ 3500 Engine RPM
DAILY PRODUCTION (8 hr @ 6 mph)	Up to 25.5 acres (10.3 ha)	Up to 29.5 acres (11.9 ha)

CONSTRUCTION:

Fabricated and welded 10-gauge, double-layer steel top with 7-gauge side skirts. Full floating design.

CUTTERDECK DRIVE SYSTEM:

Electric clutch/brake drives belt directly from engine to cutterdeck. No twists in drive belt.

SPINDLES:

Top mounted and maintenance free, with 1" shaft in precision machined, aluminum housing

ANTI-SCALP ROLLERS:

52" Cutterdecks - 6 Rollers
61" Cutterdecks - 7 Rollers

CUTTING HEIGHT & PRODUCTION:

Height: Spring assisted lift lever allows easy setting of cut heights from 1" to 5 1/2" in 1/4" increments. "Set and forget" feature allows height of cut to be set and returned to without searching from operator position.

SPECIFIC TORQUES

- BLADE BOLT TORQUE: 70 FT-LBS (95 Nm)
- WHEEL HUB NUTS: 225 FT-LBS (237 Nm)
- ENGINE CRANKSHAFT BOLT: 50 FT-LBS (68 Nm)
- LUG NUTS: 75-100 FT-LBS

UPPER ENGINE DECK ASSY

WOODS

FIGURE 1

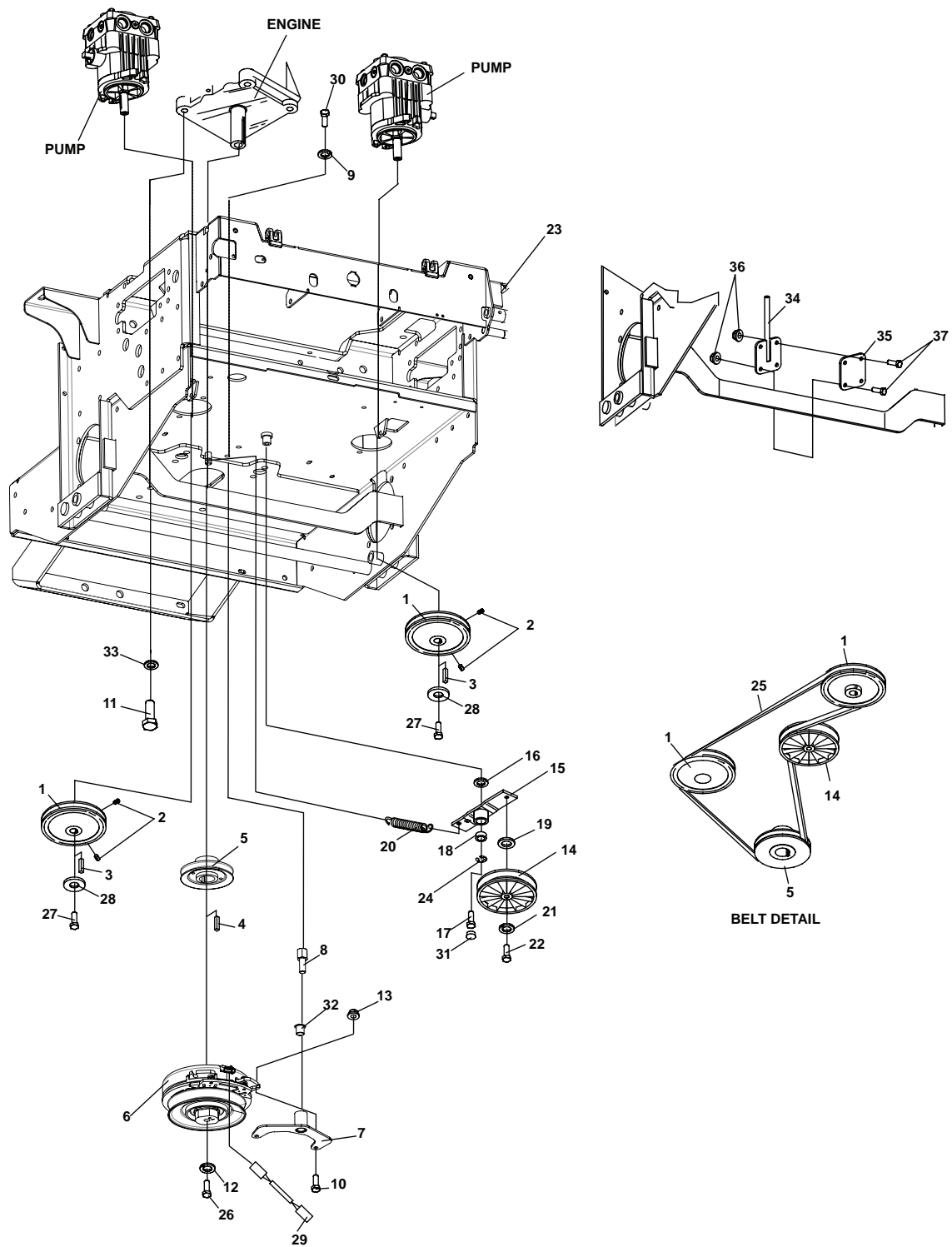
ITEM	PART NO.	DESCRIPTION	QTY	ITEM	PART NO.	DESCRIPTION	QTY
1	4164366	ENG-KAW 22HP FX	1	44	64263-007	BLT-FLG HD M8-1.25 X 20	2
	4164368	ENG-KAW 26HP FX		45	64123-15	BOLT-3/8-16X3/4 HEX	8
	4164576	S-AIR FILTER PRIMARY		46	64197-025	BLT-TDFM 1/4-20X5/8	2
	4164577	S-AIR FILTER SAFETY		47	38304-02	BRG, FLGD PLASTIC	2
	4164537	FILTER-OIL		48	4143354	BUMPER-RUBBER	2
	38666	FILTER-FUEL		49	4165236	CAP-RESERVOIR	1
2	4164841	PUMP-HYDROSTATIC 12CC (SEE FIGURE 8 FOR BREAKDOWN)	2	50	4164443.7	BRKT-MUFFLER LH	1
					* 4164442.7	BRKT-MUFFLER RH	1
				51	64025-15	NUT-HEX #10-24 KEPS	4
3	4166252	S-ENGINE DECK W/LABS	1	52	64152-46	SCREW-SLT HH 10-24X1/2	2
4	108055	BATTERY	1	563	4164252-001	FITTING-3/8NPT TO 3/8	1
5	4165497.7	BRACKET-RELAY MNTG	1	54	69053-03	HOSE, HYDRAULIC 18"	1
6	4165920	S HYD RESERVOIR W/LABS	1	55	4164251	VALVE-OIL DRAIN	1
7	64262-012	BLT-FLG HD 3/8-16 X 1-1/4	4	56	88042-03	CLAMP-HOSE 5/8	2
8	64197-016	BLT-TDFM 3/8-16X1/2	4				
9	64163-69	WSHR .391X.88X10 GA	2				
10	4143570	STRAP-BATTERY	1				
11	64141-4	NUT-WLF 3/8-16	8				
12	64268-03	NUT-FL NYLON LOCK 3/8-16	8				
13	4118430	ARM-PUMP	2				
14	4164385	MUFFLER-FX KAW 22-26HP	1				
15	4165361	ROD-LINK ASSY	2				
16	64152-46	SCREW-SLT HH 10-24X1/2	2				
17	64229-02	LOCKNUT-NYLON 5/16-18	8				
18	2182405.7	BRKT-REVERSE RETURN	2				
19	64123-50	BLT-HEX 3/8-16X1	4				
20	64141-6	NUT-WLF 5/16-18	2				
21	64123-205	BLT-HEX 5/16-24X4	2				
22	4164260	MOUNT-ANTI VIBRATION	4				
23	38020N	CLEVIS YOKE, 5/16 PLATE	2				
24	64188-02	PIN, CLEVIS 5/16X1	2				
25	64168-2	COTTER-HAIRPIN.08X1.19	2				
26	64025-03	NUT-HEX 5/16-24	2				
27	2188139	SPRING-COMPRESSION	2				
28	4165499	DAMPENER	2				
29	4165364	WLDMT-MOTION CTRL LH	1				
	* 4165365	WLDMT-MOTION CTRL RH	1				
30	64268-02	NUT-FL NYLON LOCK 5/16-18	2				
31	48412-01	CLAMP-J	1				
32	64229-08	LOCKNUT NYLON 5/16-24	2				
33	64192-06	SETSCR SQHD 5/16-18X3/4	2				
34	112386	BOOT,BAT TERM POS	1				
35	108208	SWITCH DBL POLE	2				
36	2188156	SWITCH-NONO DBL POLE	1				
37	64197-015	BLT-TDFM 10-32X1/2 TORX	6				
38	2188154	MODULE-DELAY	1				
39	11060-9016	GASKET-MUFFLER	2				
		(AVAILABLE THROUGH KAWASAKI DEALER)					
40	2308095	COVER-TERMINAL	1				
41	64263-007	BLT-FLG HD M8-1.25 X 20	4				
42	64266-02	NUT-FL LOCK M8-1.25	2				
43	64163-55	WASHER .328X.75X14 GA	4				

* NOT ILLUSTRATED

LOWER ENGINE DECK ASSY/CLUTCH

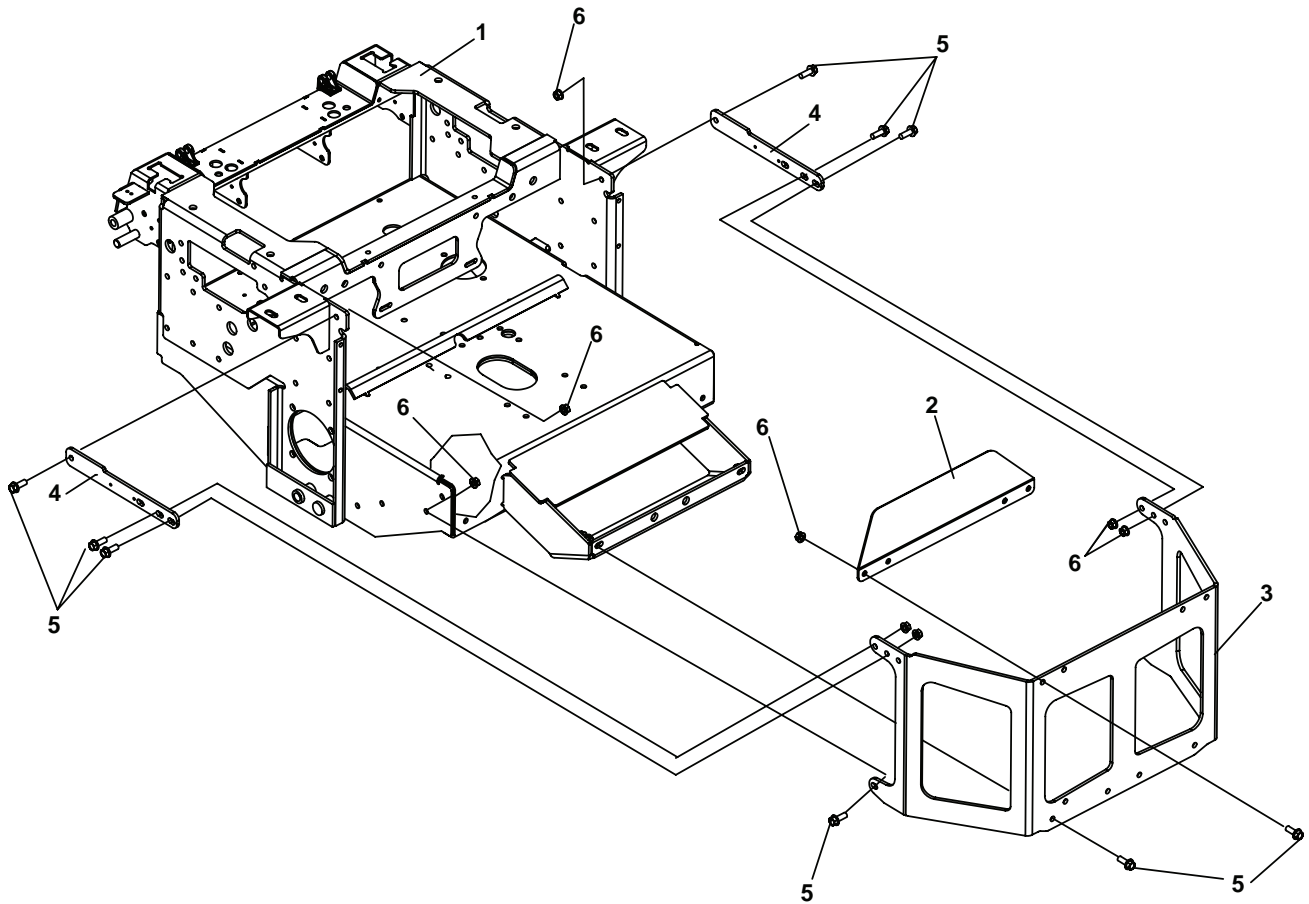
WOODS

FIGURE 2



ITEM	PART NO.	DESCRIPTION	QTY	ITEM	PART NO.	DESCRIPTION	QTY
1	4158360	PULLEY-PUMP	2				
2	64044-18	SCREW-SET 1/4-20 X 5/16	4				
3	64238-03	KEY-MET 5MM SQX28MM	2				
4	64164-12	KEY	1				
5	4165509	PULLEY- 5.25 OD X 1.126	1				
6	4165689	CLUTCH-ELECTRIC, 225	1				
7	4165570.7	WLDMT-CLUTCH STOP	1				
8	4121540	PIN-CLUTCH	1				
9	64006-03	LOCKWSHR-3/8 HELICAL	1				
10	64123-54	BLT-HEX 5/16-18X3/4	2				
11	64123-70	BLT-HEX 3/8-16X1-1/2	4				
12	64006-06	LCKWSHER-HELICAL 7/16	1				
13	64268-02	NUT-FL NYLON LCK 5/16-18	2				
14	2308000	PULLEY-IDLER 4.00 EOD	1				
15	4128923	S-ASSY-IDLER ARM PUMP (INCLUDES ITEMS 16, 18 & 24)	1				
16	4127999	SEAL	1				
17	64270-01	BOLT-MET HEX M10-1.5X30	1				
18	4128004	BEARING	1				
19	33148-01	SPACER-0.379X0.750X0.25	1				
20	2188131	SPRING-EXTENSION	1				
21	64006-03	WSHR, 3/8 HELICAL LOCK	1				
22	64123-21	BLT-HEX 3/8-24X1-1/4	1				
23	4166252	S-ENGINE DECK W/LABS	1				
24	64144-40	SNAP RING	1				
25	4157920	BELT PUMP DRIVE	1				
26	64123-216	BLT-HEX 7/16-20X2-1/4	1				
27	64205-013	BLT-MET M6-1X12	2				
28	64209-09	WASHER-CONICAL SPRING	2				
29	2720949	ASSY-CLUTCH WIRE	1				
30	64123-15	BLT-HEX 3/8-16X3/4	1				
31	4128002	END CAP	1				
32	38304-03	BEARING-FLNGD PLASTIC	1				
33	64006-03	LOCKWSHR-3/8 HELICAL	4				
34	4165983.7	WLDMT-BELT GUIDE	2				
35	4165980.7	PLATE-CLAMPING	2				
36	64268-01	NUT-FL NYLON LCK 1/4-20	8				
37	64262-003	BLT-FLG HD 1/4-20 X 1	8				

FIGURE 3



ITEM	PART NO.	DESCRIPTION	QTY	ITEM	PART NO.	DESCRIPTION	QTY
1	4166252	S-ENG DECK W/LABS	1				
2	4166250.7	BRKT-BUMPER, TOP	1				
3	4165490.7	WRAPPER-BUMPER	1				
4	4165492.7	STRAP-BUMPER	2				
5	64262-012	BLT-FLG HD 3/8-16 X 1-1/4	12				
6	64268-03	NUT-FL NYLON LOCK 3/8-16	12				

FUEL TANKS/CONTROL PANEL

WOODS

FIGURE 4

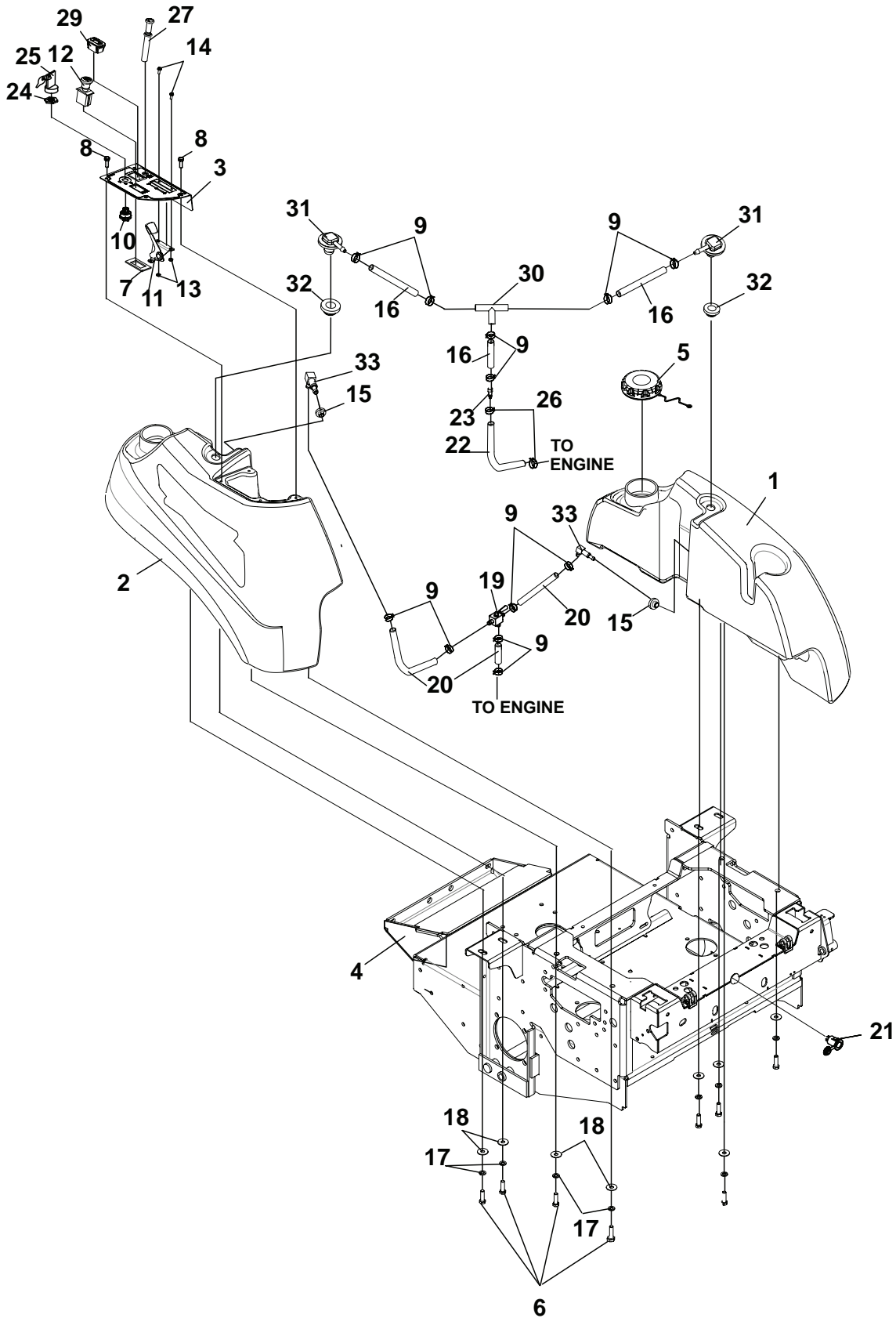


FIGURE 4

ITEM	PART NO.	DESCRIPTION	QTY	ITEM	PART NO.	DESCRIPTION	QTY
1	4165428-1	TANK-FUEL LH (INCLUDES ITEMS 15, 31-33, 35, 36)	1				
2	4165429-1	TANK-FUEL RH (INCLUDES ITEMS 15, 31-33, 35, 36)	1				
3	4165930	S-CONTROL PANEL	1				
4	4166252	S ENG DECK W/LABS	1				
5	4165291	CAP-FUEL, RATCHET TYPE	2				
6	64123-50	BLT-HEX 3/8-16X1	8				
7	2188178	SWITCH-RETAINER	1				
8	64262-001	BLT-FLG HD 1/4-20 X 1/2	4				
9	88042N	HOSE CLAMP	12				
10	128010	KEY-SWITCH	1				
11	118020-16	CONTROL-THROTTLE 48.0	1				
12	2721505	SWITCH-PTO	1				
13	64025-15	NUT-HEX #10-24 KEPS	2				
14	64152-46	SCR.-SLT HH #10-24X1/2	2				
15	4132325	GROMMET-FUEL TANK	2				
16	4162977-020	HOSE,.25IDX.50OD	3				
17	64006-03	LOCKWSHR-3/8 HELICAL	8				
18	64163-31	WSHR 25/64X1X12	8				
19	2188161	VALVE-TANK SELECTOR	1				
20	4162977-001	HOSE,.25IDX.50OD X	2				
21	4142266	CONNECTOR, 12V RECEPT	1				
22	4162989-001	HOSE, FUEL LINE	1				
23	4165864	FTTNG-HOSE 1/4" TO 3/16"	1				
24	128010-01	S-KEY SWITCH NYLON NUT	1				
25	128010-03	S-COVERED KEY	1				
26	88042-01	CLAMP	2				
27	108009-03	CONTROL-CHOKE 51"	1				
28*	64025-04	NUT-3/8-24 HEX (CHOKE)	1				
29	4165120	METER-HOUR	1				
30	4165863	TEE-FITING 1/4" HOSE	1				
31	4165763	ROLL-OVER VENT	2				
32	4165387	GROMMET-ROLL OVER	2				
33	4165667	FITTING-BARBED 90 DEG	2				
34*	970391	KIT-LIGHT ACCESSORY	1				
35*	4165692-01	FUEL-LINE TANK	2				
36*	4165668	FILTER-FUEL	2				

***NOT ILLUSTRATED**

FIGURE 5

ITEM	PART NO.	DESCRIPTION	QTY	ITEM	PART NO.	DESCRIPTION	QTY
1	4166252	S-ENGINE DECK W/LABS	1				
2	4165701.7	WLDMT-BRAKE ARM LH	1				
3	4165700.7	WLDMT-BRAKE ARM RH	1				
4	128102	SPRING,EXTENSION	2				
5	4165449.7	WLDMT-BRAKE LEVER	1				
6	4159701	ROD-BRAKE CONTROL	2				
7	2182387.7	GUIDE-SPRING	2				
8	38020N	CLEVIS YOKE, 5/16 PLATE	2				
9	4159281	BRAKE-PARKER	2				
9A*	4159281-001	BRAKE-BACK PLATE W/ PADS	1				
9B*	4159281-002	BRAKE-DRUM	1				
9C*	4159281-003	BRAKE-SCREW	4				
9D*	4159281-004	BRAKE-HUB	1				
9E*	4159281-005	STUD-BRAKE	4				
10	64163-06	WSHR,.768/.756X1.25X14	A/R				
11	4159000	BAR-PARKING BRAKE	1				
12	4159280	MOTOR-PARKER	2				
		(INCLUDES ITEMS 32)					
13	4165553	WHEEL-ASSY, 24X12.00-12	2				
	4165553-01	RIM-8 SPOKE 4 HOLE W/VALV					
	1985085-02	TIRE 24X12.00-12NHS 4PLY					
	4158422-02	TIRE 24X12-12 OTR FTLT					
		(ITEM 13 USED ON 61" DECKS ONLY)					
14	64163-89	WSHR- 1.25ODX.76IDX18GA	1				
15	64187-03	WHEEL NUT-1/2-20	8				
16	64188-02	PIN, CLEVIS 5/16X1	2				
17	64061-25	ROLL PIN-1/4X1-1/4	2				
18	2188155	GRIP, 1/4X1X4-1/2	1				
19	2183063-01	SPACER, 32MM LONG	8				
20	4165552	WHEEL-ASSY, 23X10.50-12	2				
	4165552-01	RIM-8 SPOKE 4 HOLE W/VALV					
	4158421-02	TIRE-23 X 10.5-12 4P TURF					
	4158421-03	TIRE 23X10.5-12 OTR GMSTR					
		(ITEM 20 USED ON 52" DECKS ONLY)					
21	85010N	ZERK, 1/4-28 STR SLFTHRD	1				
22	64144-34	SNAP RING.50	1				
23	2188145	BEARING-.75ID SELF ALIGN	2				
24	64123-15	BOLT-3/8-16X3/4 HEX	4				
25	64268-03	NUT-FL NYLN LCK 3/8-16	4				
26	64237-06	LOCKNUT-NYLON M12-1.75	8				
27	64168-2	COTTER-HAIRPIN.08X1.19	4				
28	64025-03	NUT-HEX 5/16-24	2				
29	64025-31	NUT 1-20 UNSLOTTED TRW	2				
30	4159242	WLDMT-PRK BRAKE ROD	1				
31	450767	CAPSCREW 12-1.75X110	8				
32	64164-08	S-KEY FOR WHEEL MOTOR	2				

*NOT ILLUSTRATED

FIGURE 6

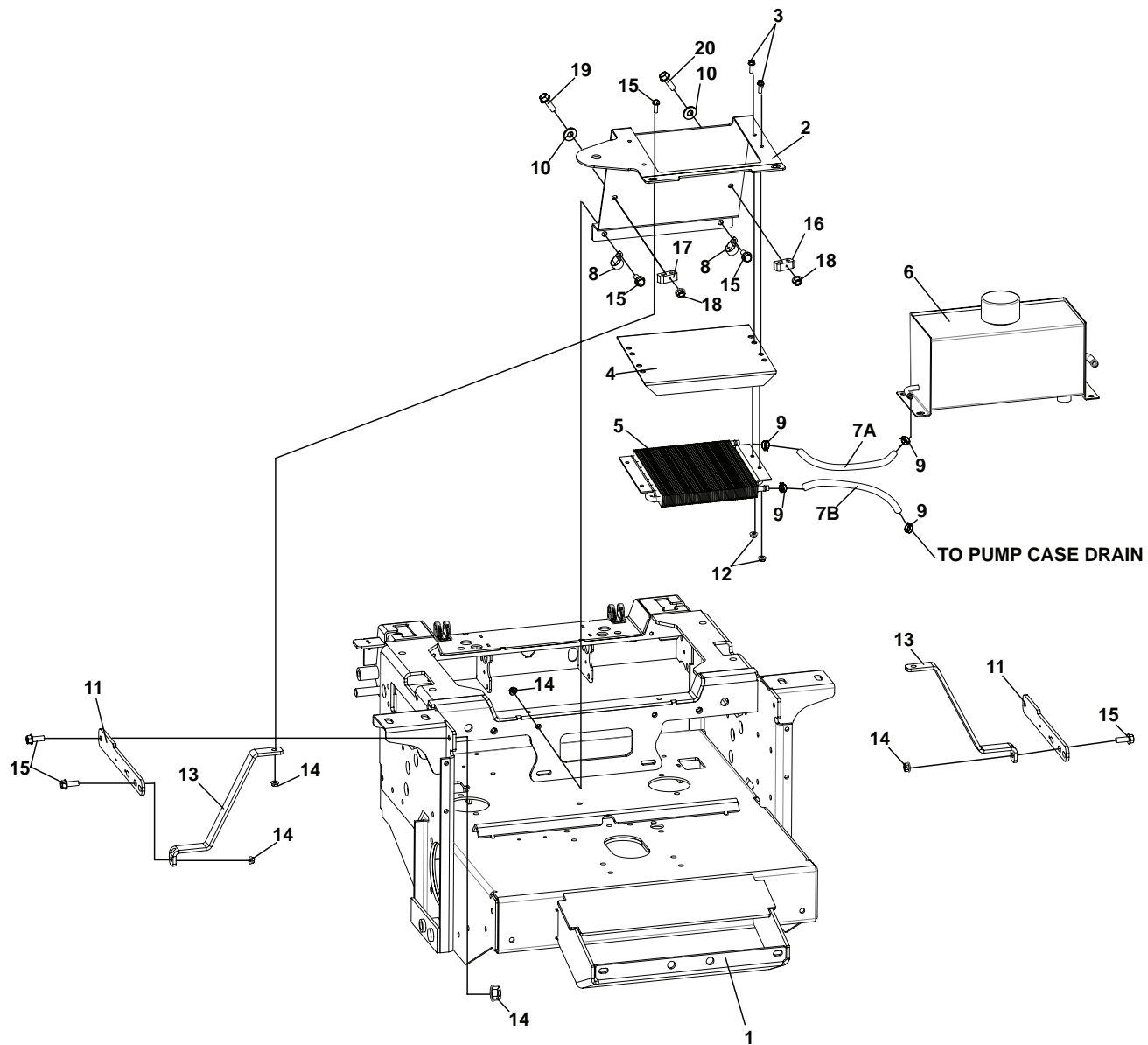


FIGURE 6

ITEM	PART NO.	DESCRIPTION	QTY	ITEM	PART NO.	DESCRIPTION	QTY
1	4166252	S ENGINE DECK W/LABS	1				
2	4166418.7	BRKT-COOLER FRONT	1				
3	64262-002	BLT-FLG HD 1/4-20 X 3/4	4				
4	2720891.7	SCREEN-OIL COOLER	1				
5	2188173	COOLER-OIL	1				
6	4165920	S HYD RSRVR W/LABS	1				
(69053-05 IS A SERVICEABLE LENGTH OF 55")							
7A	69053-05	3/8 HIGH TEMP HOSE	1				
7B	69053-05	3/8 HIGH TEMP HOSE	1				
8	48412-01	CABLE-CLIP N	2				
9	88042-04	CLAMP-3/4 CLIP	4				
10	64163-03	WSHR .256X.62X18GA	2				
11	4165492.7	ARM-BUMPER	2				
12	64229-01	NUT-NYLON LOCK 1/4-20	4				
13	4166419.7	BRKT-REAR COOLER	2				
14	64268-03	NUT-FL NYLON LOCK 3/8-16	8				
15	64262-012	BLT-FLG HD 3/8-16 X 1-1/4	8				
16	4165752	CLAMP-HOSE, 5/8IN	1				
17	4165751	CLAMP-HOSE, 1/2IN	1				
18	64229-01	NUT-NYLON LOCK 1/4-20	2				
19	64123-07	BLT-HEX 1/4-20X1-1/2	1				
20	64123-60	BLT-HEX 1/4-20X2	1				

FIGURE 7

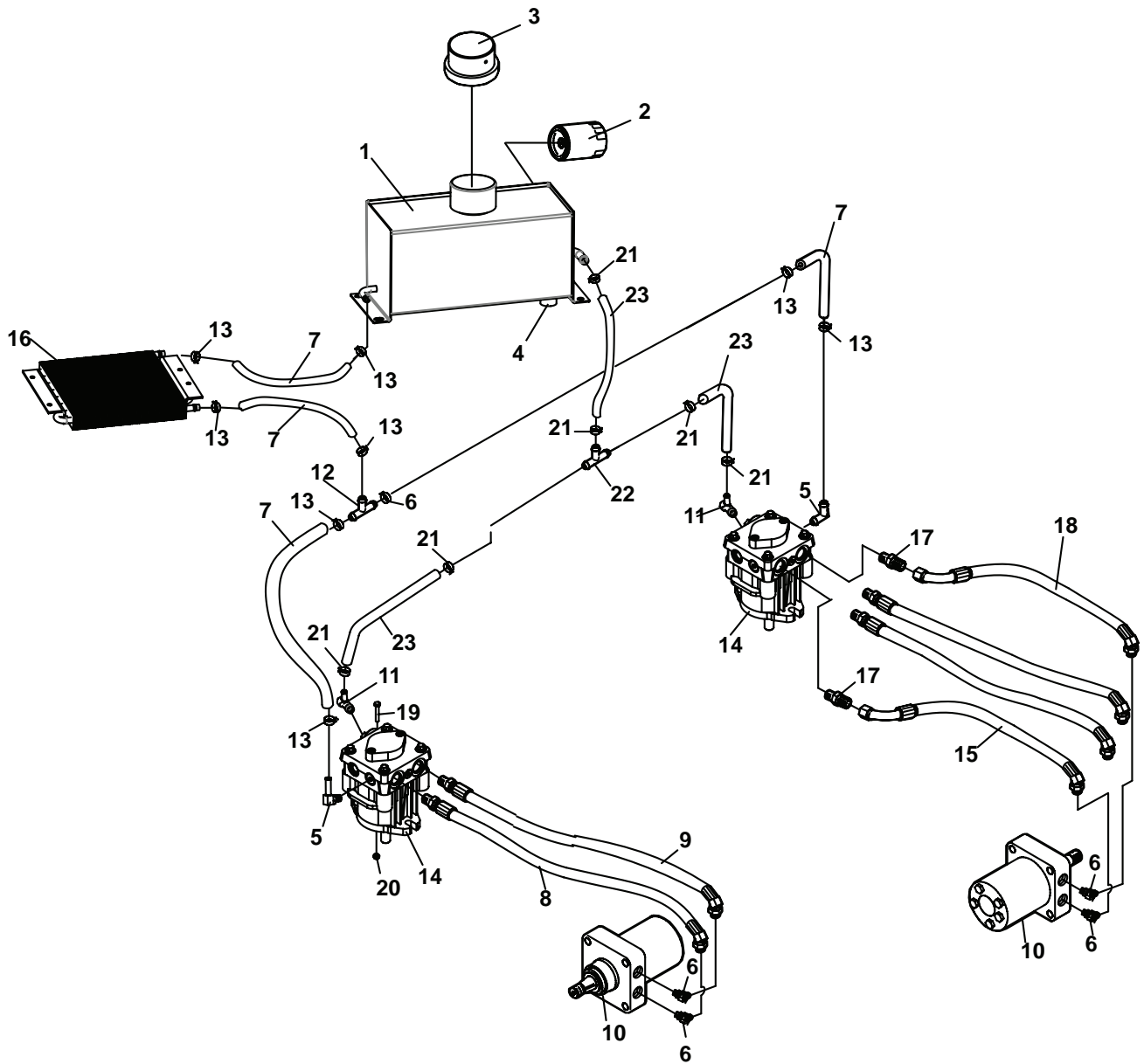


FIGURE 7

ITEM	PART NO.	DESCRIPTION	QTY
1	4165920	S HYD RESERVOIR W/LAB	1
2	2720396	FILTER 25 MICRON	1
3	4165236	CAP-RESERVOIR	1
4	4160243	PLUG-HYDRAULIC TANK	1
5	158058-04	FTG-90 BRB 9/16-18X.38	2
6	108205-03	ELBOW-MALE 45 37-ORB	4
7	69053-05	3/8 HIGH TEMP HSE (69053-05 IS A SERVICEABLE LENGTH OF 55")	4
8	LH PUMP PORT A-HOSE		
	22HP 2188157-02		1
	26HP 2188157-02		1
9	LH PUMP PORT B-HOSE		
	22HP 2188157-01		1
	26HP 2188157-01		1
10	4159280	MOTOR-PARKER	2
11	2690030-02	FTG 9/16-18 ORB X 3/8	2
12	58026-01	3 WAY CONNECTOR 3/8	2
13	88042-04	CLAMP-HOSE 5/8	14
14	4164841	PUMP-HYDRO 12cc	2
15	RH PUMP PORT A-HOSE		
	22HP 2720320-01		1
	26HP 2720320-01		1
16	2188173	OIL COOLER	1
17	48089-03	FTG-STRGHT 8 ORB X 8 JIC	
	22HP- QTY 1 RH PUMP PORT A		
	26HP- QTY 2 RH PUMP PORT A & B		
18	RH PUMP PORT B-HOSE		
	22HP 2188157-01		
	26HP 2720320-02		
19	64123-60	BOLT, 1/4-20X2 HEX	2
20	64229-01	LOCKNUT-NYL 1/4-20	2
21	88042-05	CLAMP-HOSE 13/16	6
22	58026-04	3 WAY CONNECTOR 3/16	1
23	4165341-02	HOSE-HYDR,	2

SAE PORT 'O' RING		
PART NUMBER	THREAD SIZE	AS-568#
158061-10	9/16-18	-906
158061-11	3/4-16	-908
158061-12	7/8-14	-910
158061-13	1-1/16-12	-912
158061-14	1-5/16-12	-916
158061-16	1-5/8-12	-920
158061-03	1-7/8-12	-924

FIGURE 8

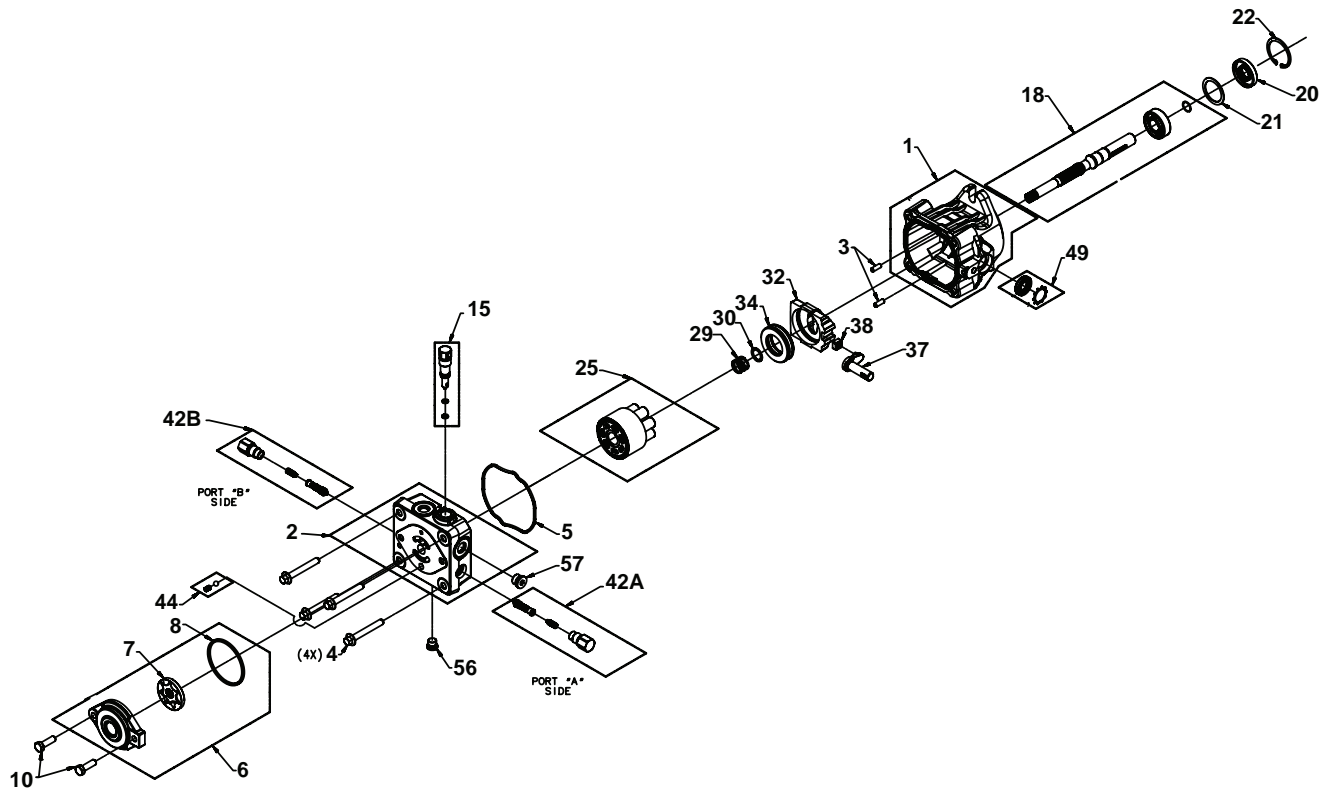


FIGURE 8

ITEM	HYDROGEAR PART NO.	WOODS PART NO.	DESCRIPTION	QTY
1	70516	----	HOUSING KIT	1
2	72011	4164841-001	END CAP KIT	1
3	50641	----	STRAIGHT HEADLESS PIN	2
4	50969	2721615-01	FLANGE BOLT M8-1.25 X 60	4
5	52629	4164841-002	HOUSING O-RING	1
6	71246	4137278-01	CHARGE PUMP KIT	1
7	50273	38345-07	STD GEROTOR ASSEMBLY	1
8	9004101-1340	38345-08	O-RING	1
10	9007200-3116	64123-68	SOCKET SCREW M6-1.0 x 20	2
15	2513030	4157242-019	BYPASS VALVE KIT (BLANK)	1
18	70522	4137278-05	PUMP SHAFT KIT	1
20	51161	----	LIP SEAL 17 x 40 x 12	1
21	50951	----	SPACER	1
22	50329	----	RETAINING RING	1
25	71971	4164841-003	CYLINDER BLOCK KIT	1
29	2003014	----	BLOCK SPRING	1
30	2003017	----	BLOCK THRUST WASHER	1
32	2003087	188059-11	SWASH PLATE	1
34	53502	4164841-004	BALL THRUST BEARING	1
37	2003005	188059-15	ARM-TRUNION	1
38	2000015	2721615-13	SLOT GUIDE	1
42A	70743	4121354	SHOCK VALVE KIT (.031")	1
42B	70741	4121355	SHOCK VALVE KIT (BLANK)	1
44	70402	4137278-07	CHARGE RELIEF VALVE KIT	1
49	2513043	2721615-17	TRUNNION SEAL/RETAIN KIT	1
56	9005110-4400	----	STRAIGHT THREAD PLUG	1
57	9005110-5600	4157242-025	PLUG-9/16-20 STEEL	1
100	70525	2721615-18	OVERHAUL SEAL KIT	1

AIR COOLED WIRE HARNESS

WOODS

FIGURE 9

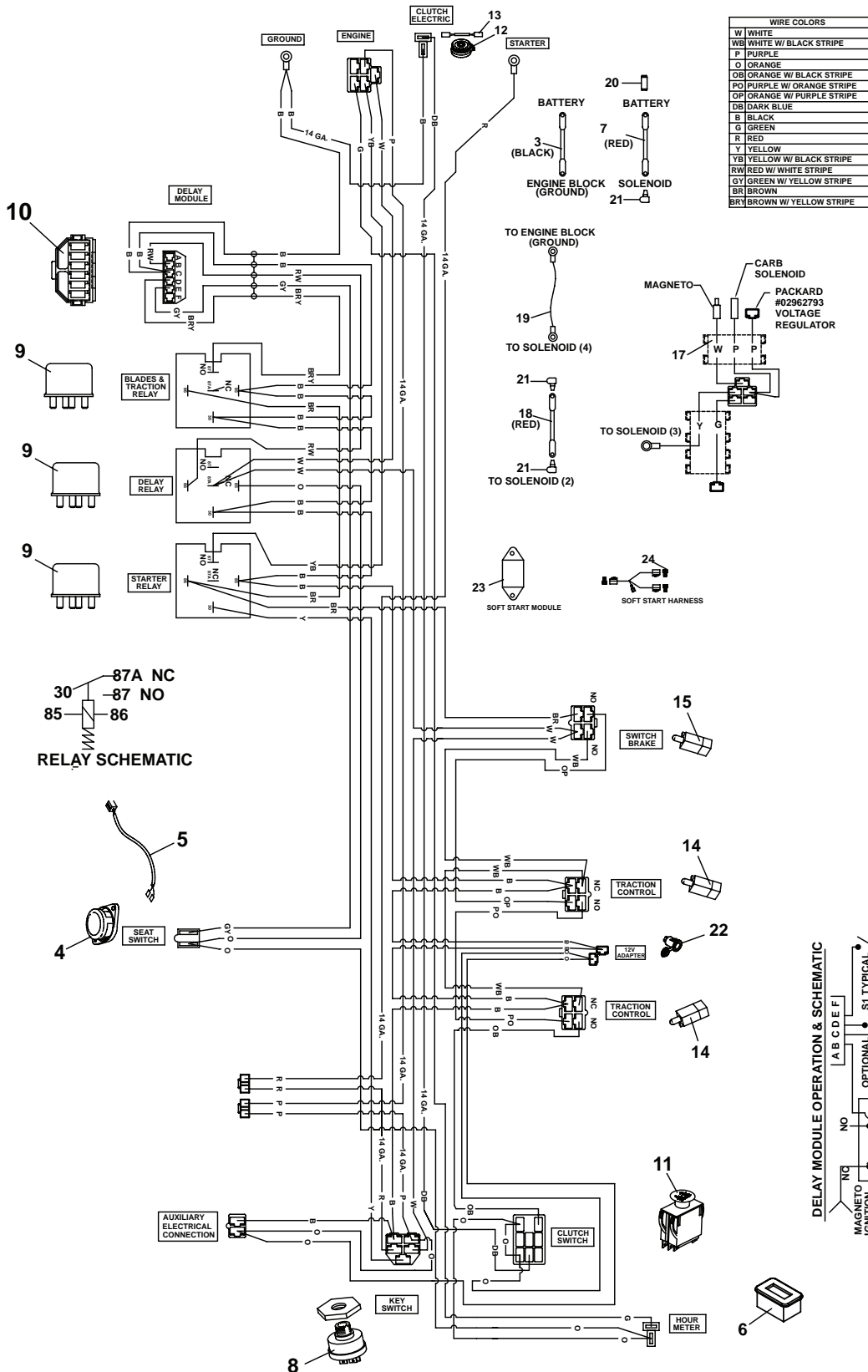


FIGURE 9

ITEM	PART NO.	DESCRIPTION	QTY	ITEM	PART NO.	DESCRIPTION	QTY
1	4163532	HARNESS-WIRING MAIN	1				
2	148082-20	FUSE-20 AMP	2				
3	108061-13	CABLE-BATTERY 36 BLACK	1				
4	4124009	SWITCH-SEAT, NO	1				
5	4143068	JUMPER-SEAT SWITCH	1				
6	4165120	METER-HOUR	1				
7	2722227-02	CABLE-BATT W/CONDUIT (INCLUDES ITEMS 20 & 21)	1				
	2722227-01	CABLE-BATT W/CONDUIT (USED ON 22HP ONLY - INCLUDES ITEMS 20 & 21)	1				
8	128010	KEY-SWITCH	1				
9	2722325	RELAY-40AMP SEALED	3				
10	2188154	MODULE-DELAY	1				
11	2721505	SWITCH-PTO	1				
12	2721337	CLUTCH-ELECTRIC (INCLUDES 2720949 WIRE ASSY)	1				
13	2720949	ASSY-CLUTCH WIRE	1				
14	108208	SWITCH-DBL POLE	2				
15	2188156	SWITCH-NONO DBL POLE	1				
16*	38665	SOLENOID (USED ON 22HP ONLY)	1				
17	2188224	HARNESS-JUMPER (USED ON 22HP ONLY)	1				
18	108061-04	CABLE-BATTERY 20 RED (USED ON 22HP ONLY)	1				
19	2188225	WIRE-GROUND	1				
20	112386	BOOT-BAT TERM POS	1				
21	2308095	COVER-TERMINAL	3				
22	4142266	CONNECTOR-12V	1				
ITEMS 23-24 USED ON 72" DECK ONLY							
23	4165894	MODULE-SOFT START	1				
24	4165923	HARNESS-SOFT START	1				

*NOT ILLUSTRATED

SEAT ASSEMBLY

WOODS

FIGURE 10

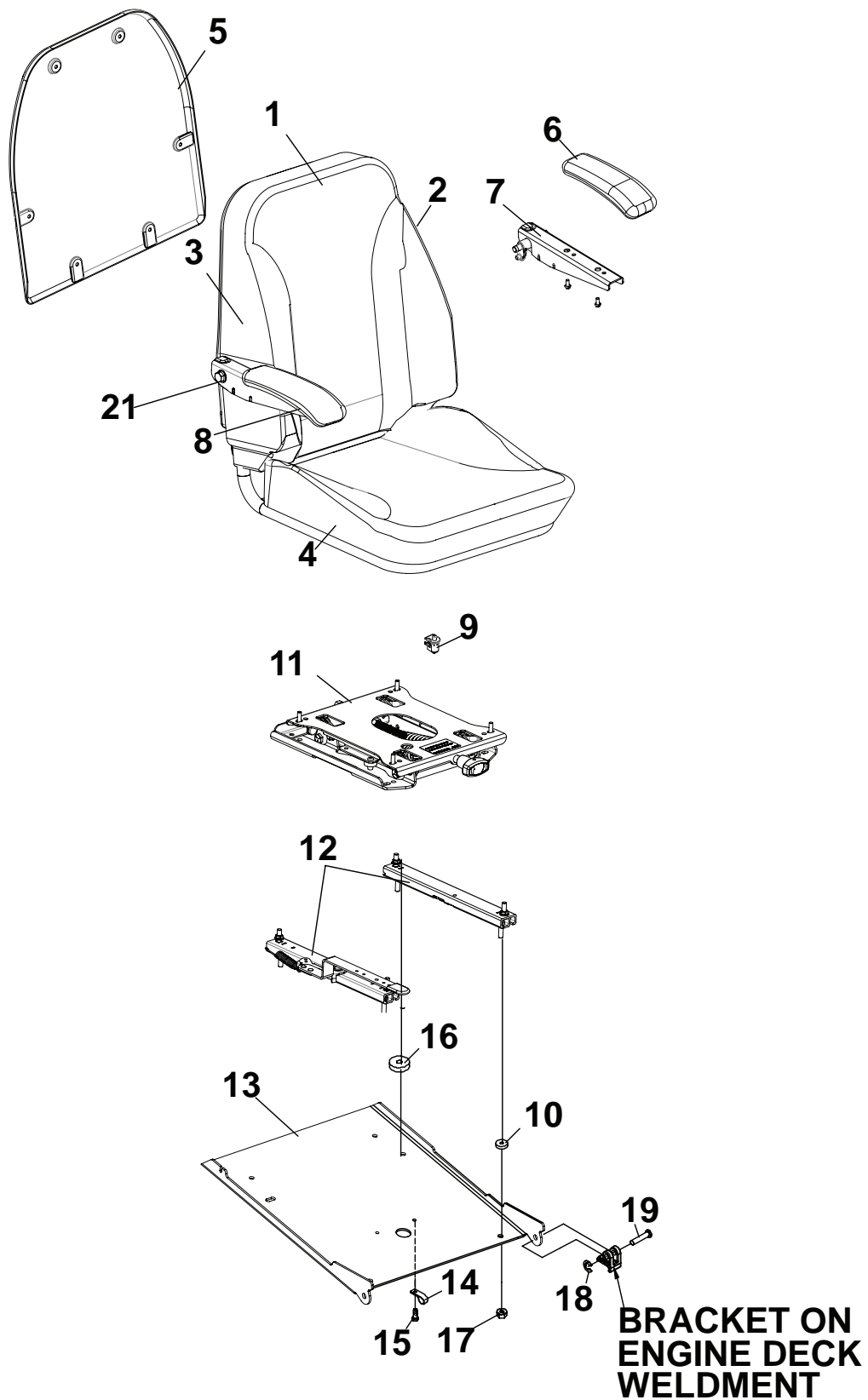


FIGURE 10

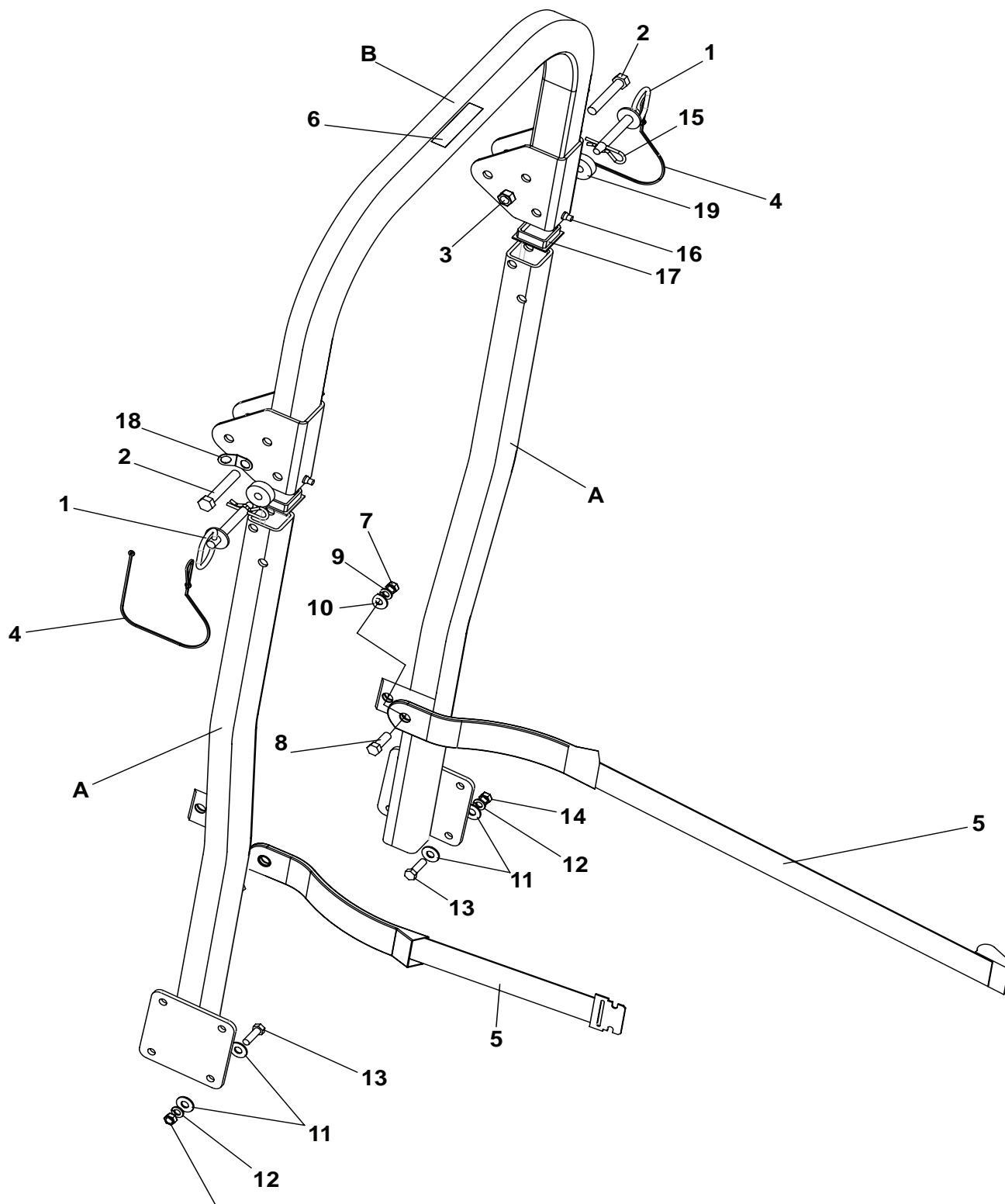
ITEM	PART NO.	DESCRIPTION	QTY	ITEM	PART NO.	DESCRIPTION	QTY
1	4166226	SEAT-SUSPENSION (INCLUDES ITEMS 2-12, 21)	1				
2	4166226-05	UPPER SEAT ASSEMBLY	1				
3	4166226-04	CUSHION-COVER BACK	1				
4	4166226-01	CUSHION COVER	1				
5	4166226-06	PROTECTOR-BACK	1				
6	4165316-02	PAD-ARM SINGLE	2				
7	4165316-05	ARM KIT-LH	1				
8	4165316-04	ARM KIT-RH	1				
9	4124009	SWITCH-SEAT NO	1				
10	2720975-07	SPACER	2				
11	4164679	SUSPENSION	1				
12	4166226-03	TRACK SET	1				
13	4165366.7	PLTE-SEAT	1				
14	48228A	CABLE CLIP-INSULATED	2				
15	64152-23	SCREW 1/4-20X3/8	2				
16	2720975-09	SPACER	2				
17	64141-6	NUT-WLF 5/16-18	4				
18	64144-30	SNAP RING	2				
19	33138-09	PIN-CLEVIS	2				
20	4143068	JUMPER-SEAT SWITCH	1				
21	4165316-03	ARM KIT-LEFT AND RIGHT	1				

* NOT ILLUSTRATED

OPTIONAL FOLDING ROPS KIT (970410)

WOODS

FIGURE 11



OPTIONAL FOLDING ROPS KIT (970410)

WOODS

FIGURE 11

ITEM	PART NO.	DESCRIPTION	QTY	ITEM	PART NO.	DESCRIPTION	QTY
1	4162879	PIN-HITCH 1/2	2				
2	64123-31	BOLT-1/2-13 X 3	2				
3	64151-7	LOCKNUT- 1/2-13	2				
4	4162880	LANYARD-NYLON	2				
5	4166217	SEATBELT	1				
6	4160347	LABEL-WARNING ROPS	1				
7	64163-19	WASHER-FLAT 7/16	2				
8	64123-28	BOLT-7/16 X 1-1/4	2				
9	64006-06	LOCKWASHER-7/16	2				
10	64151-11	LOCKNUT-7/16	2				
11	64163-31	WASHER-3/8	16				
12	64006-03	LOCKWASHER-3/8	8				
13	64123-16	BOLT-3/8-16 X 1-1/4	8				
14	64025-05	NUT-3/8-16 HEX	8				
15	64168-1	PIN-COTTER	2				
16	4160343	BUMPER RUBBER	2				
17	4160344	PLUG	2				
18	4160348	WASHER-FORMED	2				
19	4162878	WASHER-RUBBER	2				

FIGURE 12

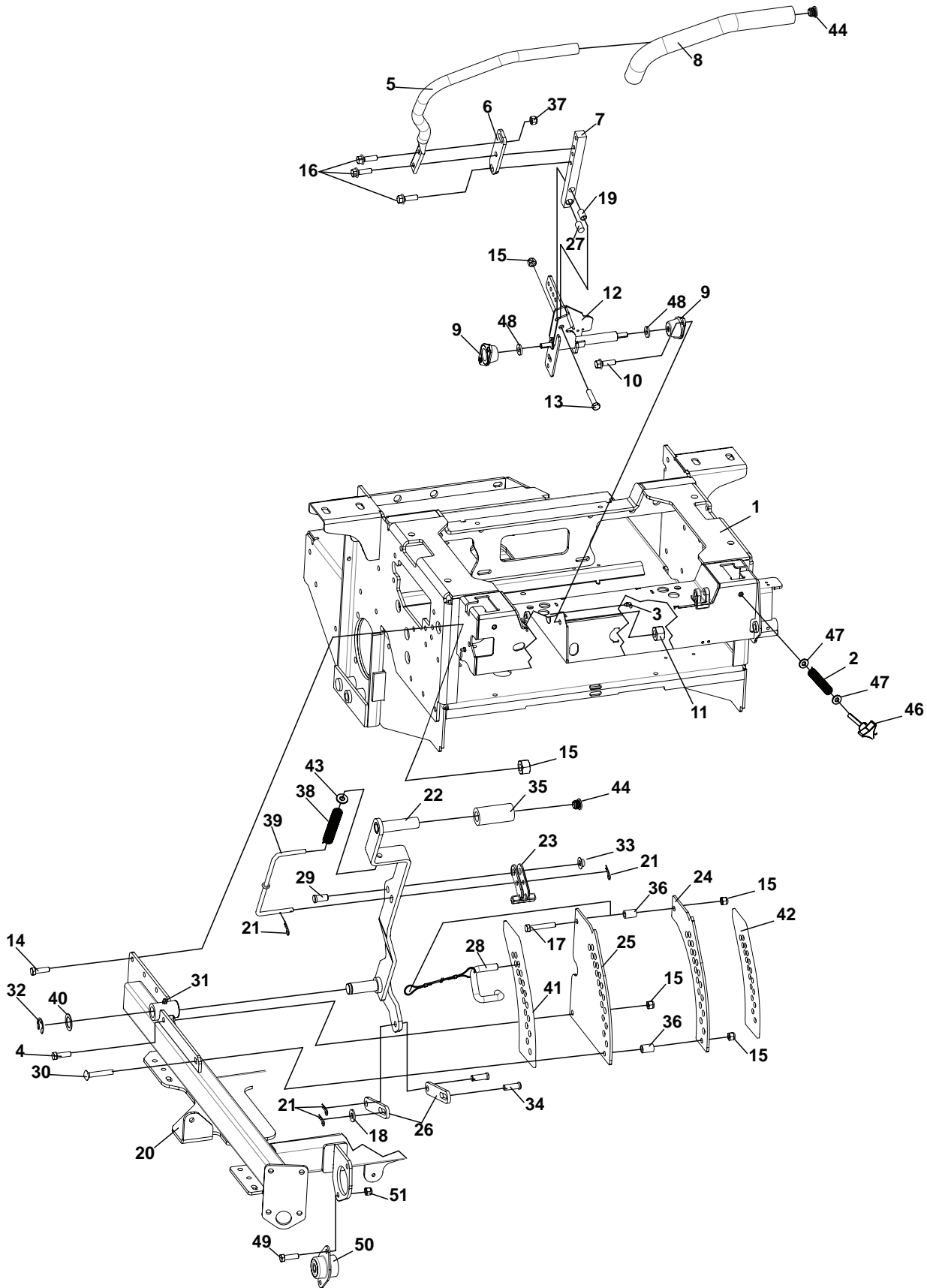
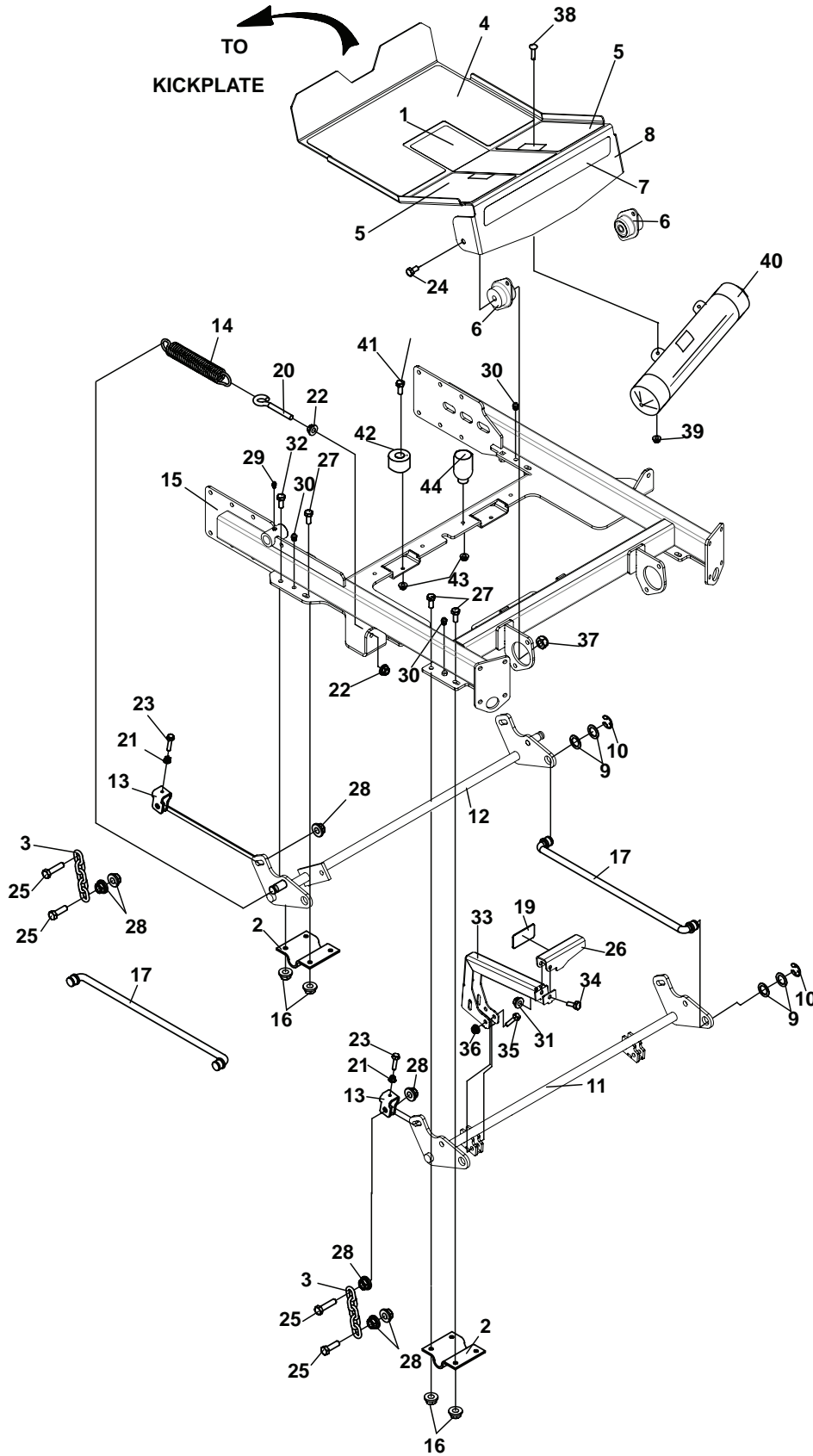


FIGURE 12

ITEM	PART NO.	DESCRIPTION	QTY	ITEM	PART NO.	DESCRIPTION	QTY
1	4166252	S ENGINE DECK W/LABS	1	32	64221-04	E-RING .875	1
2	4163746	SPRING	2	33	64175-05	NUT-PUSH 1/2	1
3	4165962	ZERK-90 DEGREE	2	34	64188-36	PIN, CLEVIS 7/16X1-1/4	2
4	64123-50	BLT-HEX 3/8-16X1	1	35	4165466	GRIP	1
5	4165426.7	LEVER-TRACTION CNTRL	2	36	2183071-03	SPACER-15.88X10.32X24	2
6	4165425.7	BRKT-TRACTION LEVER	2	37	64268-03	NUT-FL NYLON LOCK 3/8-16	4
7	4162998	BRKT-HANDLE	2	38	2720544	SPRING-COMPRESSION	1
8	4165432	GRIP-HANDLE	2	39	4165448	ROD-LIFT STOP	1
9	4164260	MOUNT-ANTI VIBRATION	4	40	64163-65	WSHR .890X1.375X18GA	6
10	64123-15	BOLT-3/8-16X3/4 HEX	8	41	4165654	LBL-ZT200 HT CUT OUTER	1
11	64141-4	NUT-WLF 3/8-16	12	42	4165655	LBL-ZT200 HT CUT INNER	1
12	4165364	WLDMT-MTN CONTRL LH	1	43	64163-29	WASHER-21/64 X 1 X 11GA	2
*	4165365	WLDMT-MTN CONTRL RH	1	44	4163692	CAP-END	3
13	64123-87	BLT-HEX 3/8-16X1-3/4	2	45	64229-02	NUT-NYLON LOCK 5/16-18	2
14	64123-16	BLT-HEX 3/8-16X1-1/4	12	46	4163446	KNOB	2
15	64229-03	NUT-NYLON LOCK 3/8-16	20	47	64163-55	WSHR .328X.75X14 GA	4
16	64262-012	BLT-FLG HD 3/8-16 X 1-1/4	8	48	64163-107	WSHR-.391 X .75 X 10GA	4
17	64123-100	BLT-HEX 3/8-16X2-1/4	1	49	64262-011	BLT-FLG HD 3/8-16 X 1	4
18	64163-43	WSHR.443/.454X1X11GA	1	50	4165682	MOUNT-ISOLATION, FOOT	2
19	4165474	SPACER	2	51	64229-03	NUT-NYLON LOCK 3/8-16	4
20	4165390.7	WLDMT-CRADLE	1				
21	64168-2	COTTER-HAIRPIN.08X1.19	4				
22	4165380.7	WLDMT-DECK LIFT LEVER	1				
23	4162904.7	WLDMT-LVR STOP LATCH	1				
24	4165384.7	BRKT-INNER DECK LIFT	1				
25	4165385.7	BRKT-OUTER DECK LIFT	1				
26	4165389.7	BRACKET-LIFT LINK	2				
27	4162999	SPACER	1				
28	4165656	ASSY, PIN & LANYARD	1				
29	64188-53	PIN-CLEVIS 1/2X1.0	1				
30	64018-38	BOLT-CRG 3/8-16 X 2-1/4	1				
31	85010N	ZERK, 1/4-28 STR SELF TH 11					

FIGURE 13



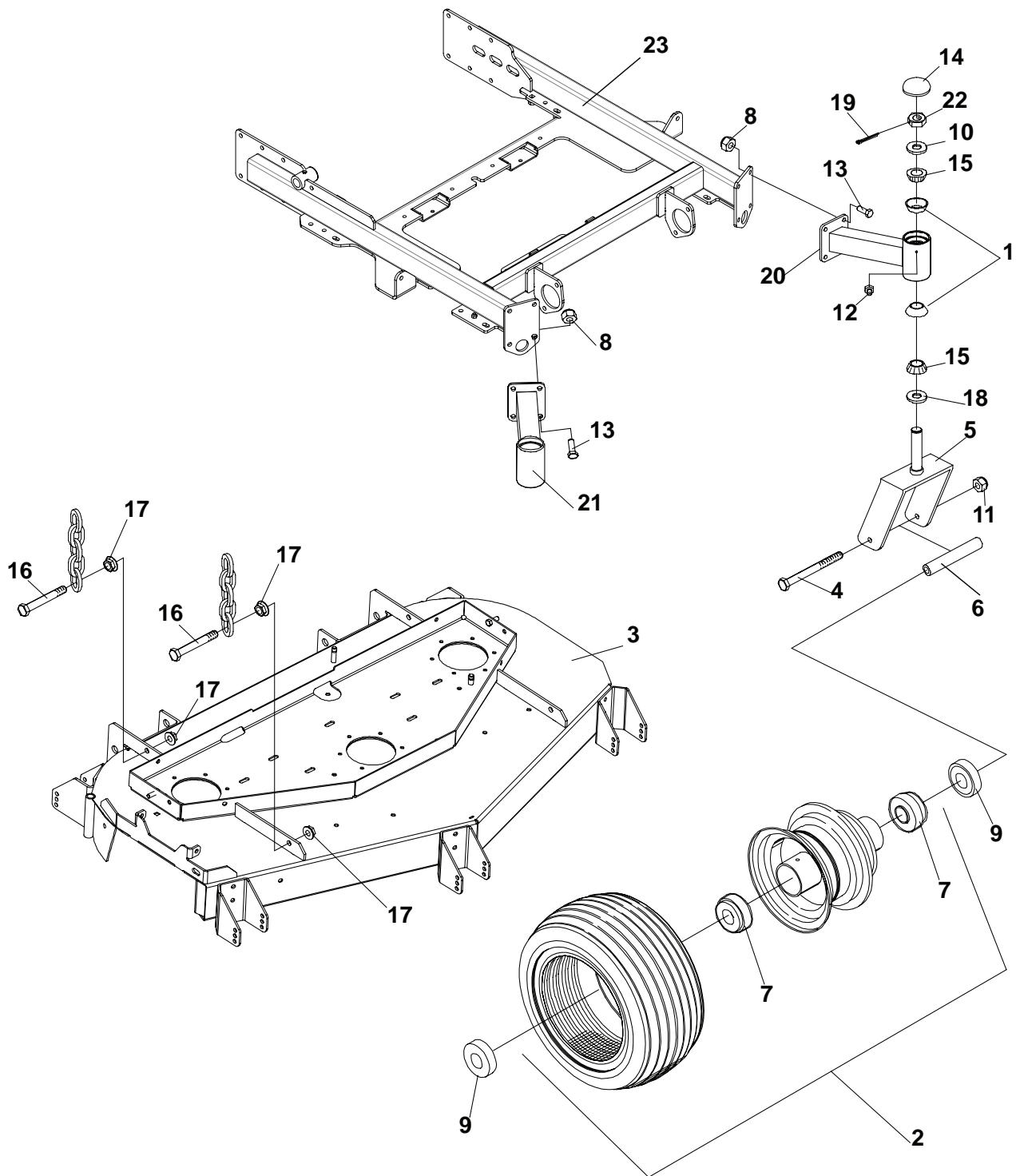
ITEM	PART NO.	DESCRIPTION	QTY	ITEM	PART NO.	DESCRIPTION	QTY
1	4165610	LABEL-WARNING	1				
2	2182356.7	BRACKET-SHAFT HANGER	4				
3	2188127	CHAIN-6.35 (.250) 5 LINKS	4				
4	4165647	MAT-FOOT PLATE LOWER	1				
5	4166266	MAT-FOOT PLATE UPPER	2				
6	4165682	MOUNT-ISOLATOR	2				
7	4166254	LABEL-WOODS	1				
8	4166267	S-FOOT PLATE	1				
		(INCLUDES ITEMS 4-7)					
9	64163-65	WASHER-.890X1.375X18GA	8				
10	64221-04	E-RING.875	4				
11	4165379.7	WLDMT-DECK LIFT, FRONT	1				
12	4165427.7	WLDMT-DECK LIFT, REAR	1				
13	2722630	CLIP-DECK HEIGHT ADJ	4				
14	4165675	SPRING-DECK LIFT	2				
15	4165390.7	WLDMT-CRADLE	1				
16	64268-03	NUT-FL NYLN LCK 3/8-16	15				
17	4109960	WLDMT-DECK LIFT ROD	2				
18 *	4111842.7	BRKT-SPRING ANCHOR LH	1				
19	4165556	MAT-FOOT LIFT	1				
20	4113682	ROD-SPRING MOUNT	2				
21	64141-2	NUT-WLF 1/4-20	4				
22	64141-4	NUT-WLF 3/8-16	4				
23	64197-020	BLT-TDFM 1/4-20X1-1/2	4				
24	64123-31	BLT-HEX 1/2-13X3	2				
25	64123-281	BLT-HEX 1/2-13X2 FL THRD	8				
26	4165596.7	BRKT-FOOT, LIFT LEVER	1				
27	64262-011	BLT-FLG HD 3/8-16 X 1	15				
28	64141-13	NUT WLF 1/2-13	16				
29	85010N	ZERK, 1/4-28 STR SLFTHRD	1				
30	85051	ZERK-1/8 PIPE	6				
31	64229-03	NUT-NYLON LOCK 3/8-16	1				
32	64018-3	BLT-CRG 3/8-16X1	2				
33	4165593.7	WLDMT-FOOT PEDAL	1				
34	64123-100	BLT-HEX 3/8-16X2-1/4	1				
35	64123-67	BLT-HEX 3/8-16X2	2				
36	64001-6	NUT-HEX JAM 3/8-16	2				
37	64229-05	NUT-NYLON LOCK 3/8	2				
38	64018-2	BLT-CRG 1/4-20X3/4	2				
39	64268-01	NUT-FL NYLN LCK 1/4-20	2				
40	4160281	DOCUMENT TUBE	1				
41	64262-006	BLT-FLG HE 5/16-18X3/4	2				
42	4165676	BUMPER-RADIAL	2				
43	64268-02	NUT-FL NYLN LCK 5/16-18	6				
44	4164210	BUMPER-RUBBER	4				

***NOT ILLUSTRATED**

CRADLE & CASTER ASSEMBLY

WOODS

FIGURE 14

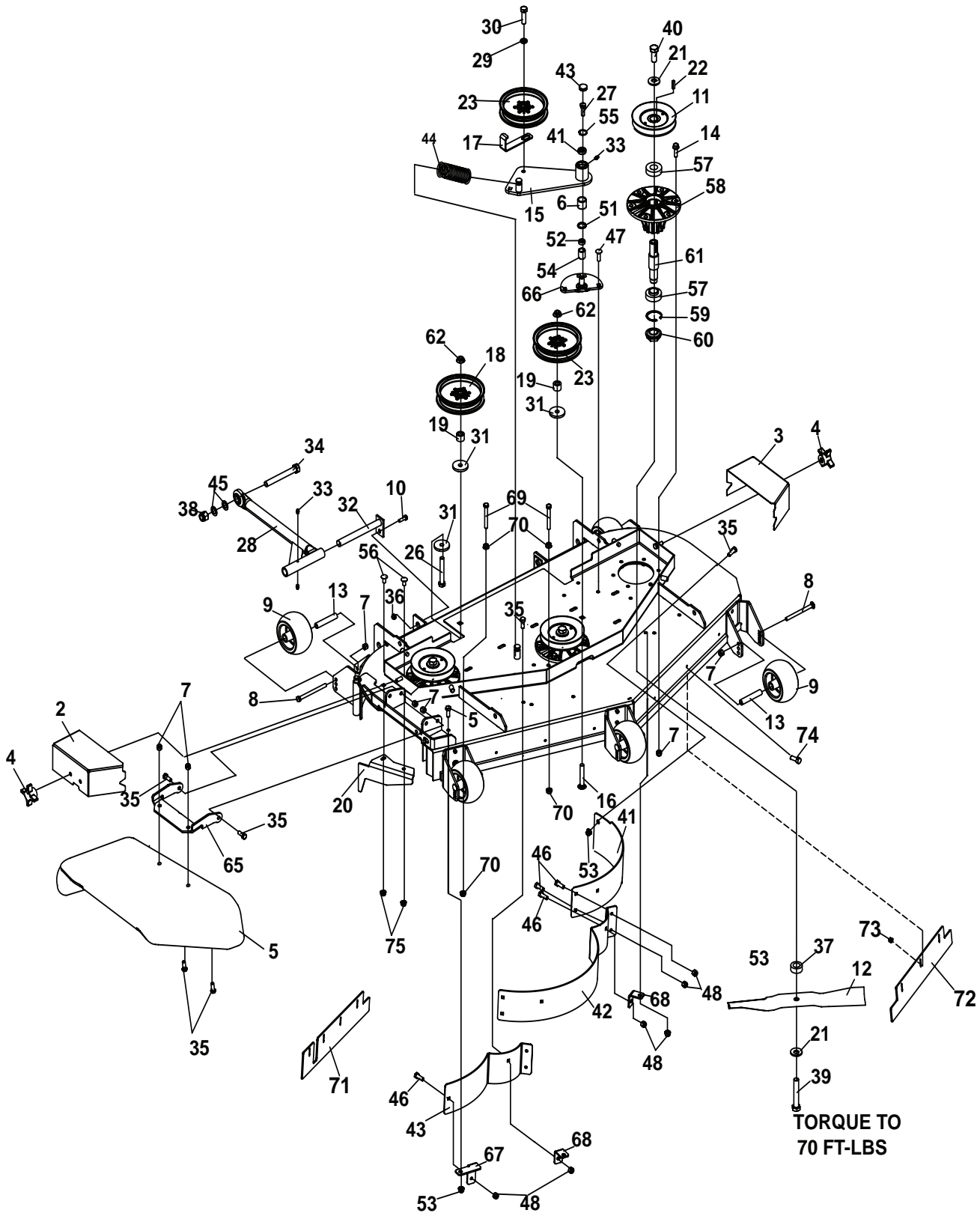


ITEM	PART NO.	DESCRIPTION	QTY	ITEM	PART NO.	DESCRIPTION	QTY
1	48043-03C	CUP, OUTER BEARING	4				
2	4165278	ASSY-WHL 13X6.5-6 (INCLUDES ITEM 7)	2				
3		DECK/W LABS					
4	64123-223	BOLT-3/4-10 X 10	2				
5	2722452.7	WLDMT-CASTER YOKE	2				
6	2722230-03	SPANNER	2				
7	2722228-03	BEARING	2				
8	64229-03	NUT-NYLON LOCK 3/8-16	8				
9	2722231	SPACER-END	4				
10	64163-26	WASHER	2				
11	64229-07	LOCKNUT-NYLON 3/4-10	2				
12	85010N	ZERK, 1/4-28 STR SLF THD	2				
13	64123-16	BLT-HEX 3/8-16X1-1/4	8				
14	2188135	DUST COVER	2				
15	48043-04C	CONE, OUTER BEARING	4				
16	64123-281	BLT-HEX 1/2-13X2 FLLTHD	8				
17	64141-13	NUT WLF 1/2-13	16				
18	48480	SEAL CR 12411	2				
19	64140-5	COTTER PIN	2				
20	4165326.7	WLDMT-CSTR ARM 52 LH (USED WITH 52" DECKS)	1				
	4165327.7	WLDMT-CSTR ARM 61 LH (USED WITH 61" DECKS)					
21	4165323.7	WLDMT-CSTR ARM 52 RH (USED WITH 52" DECKS)	1				
	4165324.7	WLDMT-CSTER ARM 61 RH (USED WITH 61" DECKS)					
22	64025-20	NUT-HEX 3/4-16 SLOT U	2				
23	4165390.7	WLDMT-CRADLE	1				

52" SIDE DISCHARGE

WOODS

FIGURE 15



ITEM	PART NO.	DESCRIPTION	QTY	ITEM	PART NO.	DESCRIPTION	QTY
1	4166259	S-DECK W/ LABELS 52" ZT2	1	48	64229-01	NUT-NYLON LOCK 1/4-20	1
2	4165608.7	COVER-BELT RH	1	49	4165966.7	BAFFLE-FRONT,CENTER 52IN	1
3	4165609.7	COVER-BELT LH	1	50	4165965.7	BAFFLE-FRONT,LH 52IN	1
4	38524	KNOB-4 PRONG 3/8-16	2	51	521438	GREASE SEAL	1
5	4166097	CHUTE-RUBBER ASSY	1	52	4163014	SPACER	1
6	548138	BRG NDL.88 1.12 1.00	1	53	64268-03	NUT-FL NYLON LOCK 3/8-16	5
7	64229-03	NUT-NYLON LOCK 3/8-16	28	54	4163155	INNER RING	1
8	64123-173	BLT-HEX 3/8-16X4-1/2	3	55	64144-40	SNAP RING-2NTERNAL	1
9	2721512	ROLLER-5X2.75 CENTERED	6	56	64018-23	BLT-CRG 3/8-16X3/4 SHRT	2
10	64123-68	BLT-HEX 5/16-18X1	2	57	38348-01	BEARING-SPINDLE SEALED	6
11	4165646	PULLEY-5.25 DEEP GRVE	3	58	4164948	HOUSING-SPINDLE 6 HOLE	3
12	112111-02	BLADE 18.00 OFFST HLFT	3	59	64144-38	RING-SNAP	3
13	2720685	SPACER-ROLLER	6	60	38315	NUT-SPINDLE	3
14	64262-012	BLT-FLG HD 3/8-16 X 1-1/4	18	61	4144947	PULLEY SPINDLE 36-52	3
15	4165754.7	WLDMT-IDLER ARM	1	62	64268-05	NUT-FL NYLON LOCK 1/2-13	2
16	64018-11	BLT-CRG 1/2-13X3LG	2	63	64018-30	BLT-CRG 3/8-16 X 4-1/2	3
17	4163514.7	GUIDE, BELT	1	64	64262-013	BLT-FLG HD 3/8-16 X 1-1/2	2
18	4165953	PULLEY-IDLER, 6.0	1	65	4165252.7	HINGE-CHUTE_RUBBER	1
19	4163802-01	SPACER-2.0 X .515 X .75	2	66	4165484.7	WLDMT-IDLER PIN	1
20	4165976.7	BAFFLE-DISCHARGE	1	67	4165870.7	BRKT-BAFFLE MOUNTING	1
21	64209-03	SPRING WASHER.67 ID	6	68	4165955.7	BRKT-BAFFLE MNTG	2
22	64164-12	KEY-1/4X1 SQ	3	69	64123-171	BLT-HEX 3/8-16X3-1/2	2
23	128169	PULLEY IDLER 5.50	2	70	64141-4	NUT-WLF 3/8-16	4
24	4165023	ASSY-CTTERDECK SPNDL	3	71	4163438.2	EXTENSION-52" RH	1
25	4165755	ASSY-IDLER ARM 48-52 (INCLUDES ITEMS 6, 15, 33, 41,51 & 55)	1	72	4163439.2	EXTENSION-52" LH	1
26	90-0828	S/B BOLT 1/2-13X3 1/2 NC	1	73	64141-2	NUT-WLF 1/4-20	7
27	64270-02	BLT-HEX M10-1.5x30 ISO	1	74	64123-114	BLT-1/4-20X1	7
28	4133155.7	WLDMT-PUSH ARM ZT2	2				
29	64006-05	LOCKWSHR-1/2 HELICAL	1				
30	64123-156	BLT-HEX 1/2-20X1-3/4	1				
31	64163-74	WSHR-.516X2.00X.25 PLT	3				
32	2186125	WLDMT-LOCK PUSHBAR	2				
33	85010N	ZERK 1/4-28 STR SLF THRD	5				
34	64123-152	BLT-HEX 5/8-11X5	2				
35	64123-50	BLT-HEX 3/8-16X1	9				
36	64229-02	NUT-NYLON LOCK 5/16-18	2				
37	4118314	SPACER-BLADE 16MM	3				
38	64229-06	NUT-NYLON LOCK 5/8-11	2				
39	64123-187	BLT-HEX 5/8-18 X 3 3/4	3				
40	64123-208	BLT-HEX 5/8-18X1-1/2	3				
41	4128004	BEARING-BALL 10 X 26 X 8	1				
42	4165967.7	BAFFLE-FRONT,RH 52IN	1				
43	4128002	CAP-26 X 7 END	1				
44	4165943	SPRING-EXTENSION	1				
45	64163-93	WSHR-.635 X 1.12 X.062	2				
46	64018-2	BLT-CRG 1/4-20X3/4	4				
47	64018-7	BLT-CRG 3/8-16X1-1/4	3				

* NOT ILLUSTRATED

FIGURE 16

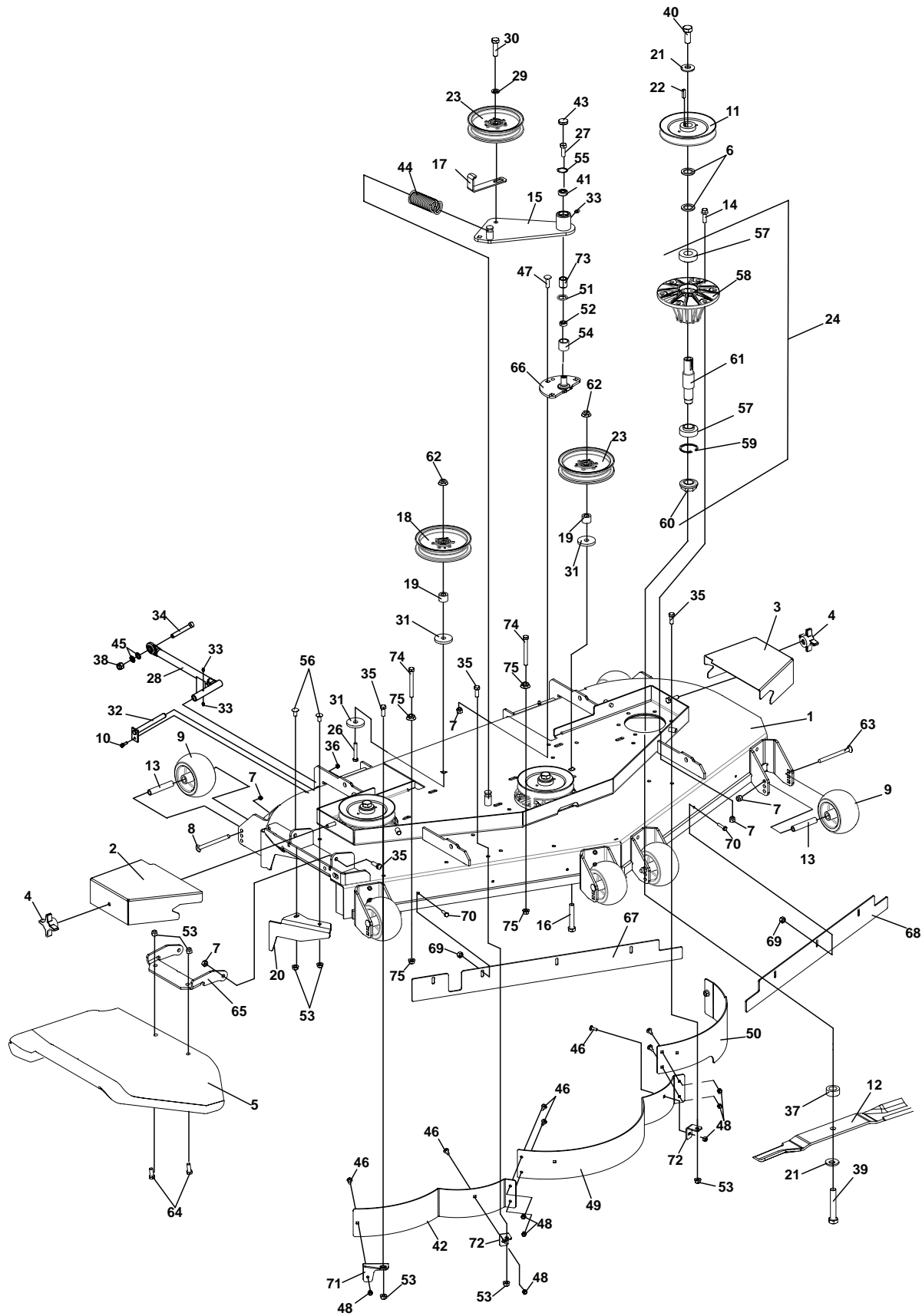
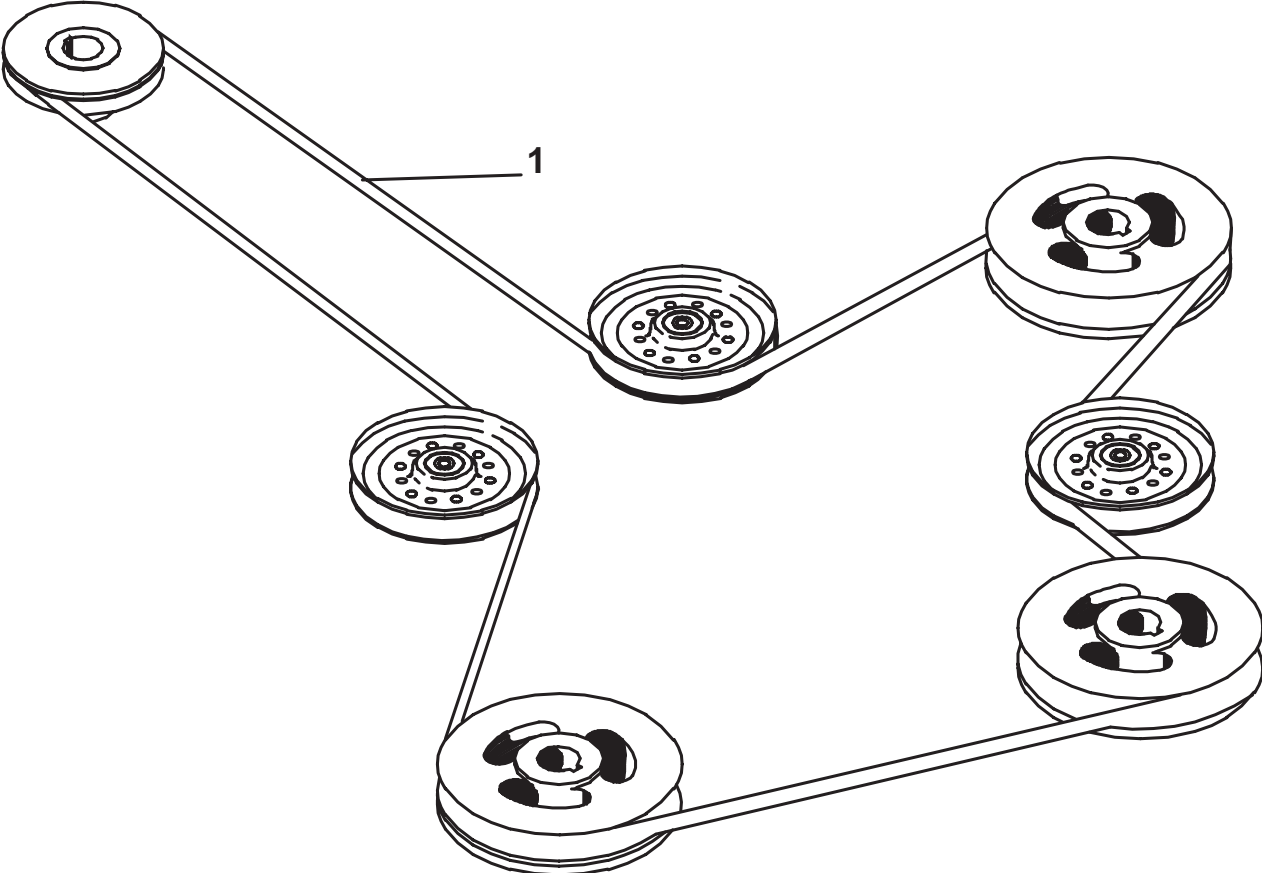


FIGURE 16

ITEM	PART NO.	DESCRIPTION	QTY	ITEM	PART NO.	DESCRIPTION	QTY
4166255		S-DECK W/ LABELS 61" ZT2	1	44	4165943	SPRING-EXTENSION	1
2	4165456.7	BELT COVER-RH	1	45	64163-93	WSHR-.635 X 1.12 X.062	4
3	4165455.7	BELT COVER-LH	1	46	64018-2	BLT-CRG 1/4-20X3/4	7
4	38524	KNOB-4 PRONG 3/8-16	2	47	64018-7	BLT-CRG 3/8-16X1-1/4	3
5	4166097	CHUTE-RUBBER ASSY	1	48	64229-01	NUT-NYLON LOCK 1/4-20	7
6	64163-68	WSHR-1.015X1.5X9GA	6	49	4165969.7	BAFFLE-FRONT,CNTR 61IN	1
7	64229-03	NUT-NYLON LOCK 3/8-16	34	50	4165968.7	BAFFLE-FRONT,LH 61IN	1
8	64123-173	BLT-HEX 3/8-16X4-1/2	3	51	521438	GREASE SEAL	1
9	2721512	ROLLER-5X2.75 CENTERED	7	52	4163014	SPACER	1
10	64123-68	BLT-HEX 5/16-18X1	2	53	64268-03	NUT-FL NYLN LCK 3/8-16	4
11	4130120	PULLEY-7.0 B GRV 1.0 BORE	3	54	4163155	INNER RING	1
		(USED ON GENERAC MODELS ONLY)		55	64144-40	SNAP RING-26MM INTENA	1
	2308140	PULLEY-ENGINE		56	64018-23	BLT-CRG 3/8-16X3/4	2
		(USED ON KAWASAKI MODELS ONLY)		57	38348-01	BEARING-SPINDLE SEALD	6
12	112111-03	BLADE 21.00 OFFST HLFT	3	58	4164948	HOUSING-SPINDLE 6 HOLE	3
13	2720685	SPACER-ROLLER	7	59	64144-38	RING-SNAP	3
14	64262-012	BLT-FLG HD 3/8-16 X 1-1/4	18	60	38315	NUT-SPINDLE	3
15	4165754.7	WLDMT-IDLER ARM	1	61	2183070-02	SHAFT-SPINDLE	3
16	64018-11	BLT-CRG 1/2-13X3LG	1	62	64268-05	NUT-FL NYLON LOCK 1/2-13	2
17	4163514.7	GUIDE, BELT	1	63	64018-30	BLT-CRG 3/8-16 X 4-1/2	4
18	4165953	PULLEY-IDLER, 6.0	1	64	64262-013	BLT-FLG HD 3/8-16 X 1-1/2	2
19	4163802-01	SPACER-1.0 X .516 X .75	2	65	4165252.7	HINGE-RUBBER CHUTE	1
20	4165976.7	BAFFLE-DISCHARGE	1	66	4165484.7	WLDMT-IDLER PIN	1
21	64209-03	SPRING WASHER.67 ID	6	67	4163440.7	EXTENSION-61"RH	1
22	64164-12	KEY-1/4X1 SQ	3	68	4163441.7	EXTENSION-61"LH	1
23	128169	PULLEY IDLER 5.50	2	69	64141-2	NUT-WLF 1/4-20	7
24	4165023	ASSY-CTTERDCK SPINDLE	3	70	64123-114	BLT-HEX 1/4-20X1	7
25	4165755	ASSY-IDLER ARM	1	71	4165871.7	BRKT-BAFFLE MNYNG, RH	1
		(INCLUDES ITEMS 15, 33, 41, 51, 55, & 73)		72	4165955.7	BRKT-BAFFLE MNTG	2
26	90-0828	S/B BOLT 1/2-13X3 1/2 NC	1	73	548138	BRG NDL.88 1.12 1	1
27	64270-02	BLT-HX M10-1.5x30 ISO	1	74	64123-171	BLT-HEX 3/8-16X3-1/2	2
28	4133155.7	WLDMT-PUSH ARM ZT2	2	75	64141-4	NUT-WLF 3/8-16	4
29	64006-05	LOCKWSHR-1/2 HELICAL	1	76	64163-55	WSHR .328X.75X14 GA	1
30	64123-156	BLT-HEX 1/2-20X1-3/4	1				
31	64163-74	WSHR-.516IX2.00OX.250	3				
32	2186125	WLDMT-LOCK PUSHBAR	2				
33	85010N	ZERK 1/4-28 STR SLF THRD	5				
34	64123-152	BLT-HEX 5/8-11X5	2				
35	64123-50	BLT-HEX 3/8-16X1	8				
36	64229-02	NUT-NYLON LOCK 5/16-18	2				
37	4118314	SPACER-BLADE 16MM	3				
38	64229-06	NUT-NYLON LOCK 5/8-11	2				
39	64123-187	BLT-HEX 5/8-18 X 3 3/4	3				
40	64123-208	BLT-HEX 5/8-18X1-1/2	3				
41	4128004	BEARING-BALL 10 X 26 X 8	1				
42	4165970.7	BAFFLE-FRONT,RH 61IN	1				
43	4128002	CAP-26 X 7 END	1				

FIGURE 18



ITEM	PART NO.	DESCRIPTION	QTY	ITEM	PART NO.	DESCRIPTION	QTY
1	4165619	BELT-CUTTERDECK 52"	1				
	4165618	BELT-CUTTERDECK 61"					

FIGURE 19

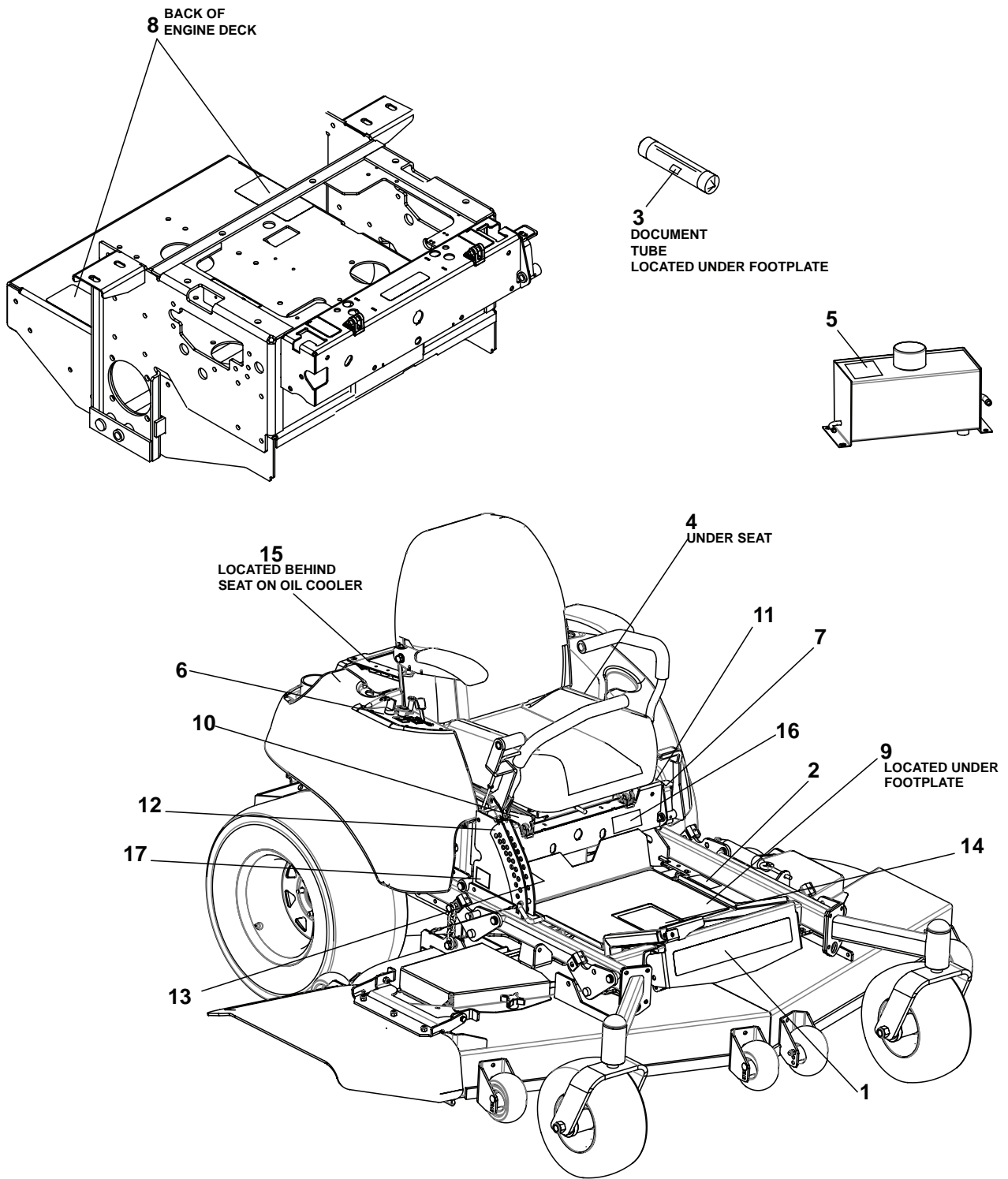
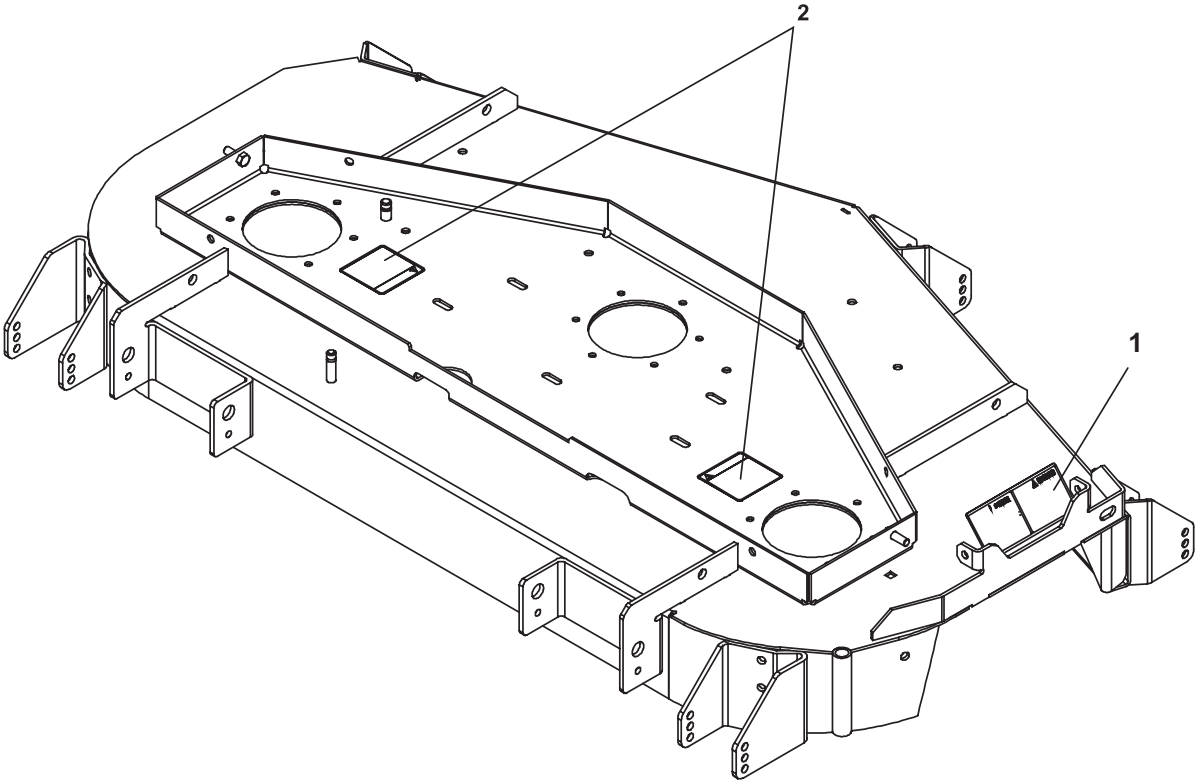


FIGURE 19

ITEM	PART NO.	DESCRIPTION	QTY	ITEM	PART NO.	DESCRIPTION	QTY
1	4139941	LABEL-MZ	1				
2	4166254	LABELFOOTPLATE WOODS	1				
3	2000735	LABEL-OPER MAN	1				
4	2000590	LABEL, WARN BATTERY	1				
5	4165722	LABEL - HYDR OIL FILL	1				
6	4165639	LABEL-CONTROL PANEL	1				
7	2000693	LABEL - PARK BRAKE	1				
8	2000698	LABEL(DBL) - FUEL/LEAKS	2				
9	4165653	LABEL-ZT INFORMATION	1				
10	4165615	LABEL - RH TRACTION	1				
11	4165616	LABEL - LH TRACTION	1				
12	4165654	LABEL-HT CUT OUTER	1				
13	4165655	LABEL-HT CUT INNER	1				
14	4165610	LABEL-WARNING	1				
15	4147617	LABEL-FUEL	1				
16	4164839	LABEL-WOODS MZ2252K	1				
	4164838	LABEL-WOODS MZ2661K					
17	4116761	LABEL-MADE IN U.S.A	1				

*NOT ILLUSTRATED

FIGURE 20



ITEM	PART NO.	DESCRIPTION	QTY	ITEM	PART NO.	DESCRIPTION	QTY
1	4164269	LABEL-WARNING BLADES	1				
2	2000577	LABEL-WARNING	2				



LIMITED WARRANTY

(Mow'n Machine™ Zero-Turn Mowers and Woods Boundary™ Utility Vehicles)

Please Enter Information Below and Save For Future Reference.

Date Purchased: _____ From (Dealer): _____

Model Number: _____ Serial Number: _____

WHAT IS COVERED:

Woods Equipment Company ("WOODS") warrants Mow'n Machine™ zero-turn mowers and attachments and Woods Boundary™ utility vehicles, accessories and attachments to be free from defect in material and workmanship for the warranty periods listed below.

FOR HOW LONG:

Mow'n Machine Model #CZ1736K, CZ1948K, CZ1952K, CZ2361, ME1952K, ME2661B, MZ2552K, MZ2561K, MZ2761, MZ3761K, MZ3772K, MZ2661KL & attachments are warranted for two (2) years from the date of delivery to the original purchaser or 2000 hours of operation, whichever occurs first. Purchaser may opt for a warranty of five (5) years from the date of delivery to the original purchaser or 500 hours of operation, whichever occurs first. The dealer must specify the special warranty term on the original, dated bill of sale and a copy must be provided with all warranty claims. Mow'n Machine model numbers CZR2242B and CZR2652B are warranted for residential use for three (3) years from the date of delivery to the original purchaser or for commercial use for 90 days from the date of delivery to the original purchaser..

Mow'n Machine Model #FE21B, FZ21D, FZ23B, FZ25D, FZ28K & attachments are warranted for two (2) years from the date of delivery to the original purchaser or 2000 hours of operation, whichever occurs first.

In addition, Mow'n Machine ME and MZ Series Models, serial number XXXXXXXX300 and above, have a Limited Lifetime Warranty on deck, deck cradle, and engine deck for the life of the machine to the original retail purchaser.

Woods Boundary utility vehicle Model #MAV350, MAV480, MAV4x4, accessories & attachments are warranted for two (2) years from the date of delivery to the original purchaser.

IMPLIED WARRANTIES OF MERCHANTABILITY AND/OR FITNESS FOR A PARTICULAR PURPOSE ARE LIMITED IN DURATION TO THE DURATION OF THE WRITTEN WARRANTY PERIODS LISTED ABOVE. Some states do not allow limitations on how long an implied warranty lasts, so the above limitation may not apply to you.

WHO IS COVERED:

This Warranty is extended solely to the original purchaser of the product. Should the original purchaser sell or otherwise transfer the product to a third party, this Warranty does not transfer to the third party purchaser in any way. There are no third party beneficiaries of this Warranty.

WHAT IS NOT COVERED:

This Warranty does not cover normal wear or tear, or normal maintenance items, or any damage, failure or loss caused by:

1. Improper operation, improper maintenance, misuse, or an accident;
2. Any modification or repair by someone other than WOODS, a WOODS' authorized dealer or distributor, and/or a WOODS' authorized service center; or
3. Repairs made with parts other than those obtained through WOODS.

WOODS makes no warranty, express or implied, with respect to engines, batteries, tires or other parts or accessories with respect to which the manufacturer provides a separate warranty.

WHAT WOODS WILL DO TO CORRECT PROBLEMS:

WOODS' obligation under this Warranty is limited to, at WOODS' option, the repair or replacement, free of charge, of the product if the product is defective or in noncompliance with this Warranty. The product must be returned to WOODS with proof of purchase within thirty (30) days after such defect or noncompliance is discovered or should have been discovered, routed through the dealer and distributor from whom the purchase was made, transportation charges prepaid. WOODS shall complete such repair or replacement within a reasonable time after WOODS receives the product.

OTHER LIMITATIONS:

WOODS shall not be liable for any incidental or consequential losses, damages or expenses, arising directly or indirectly from the product, whether such claim is based upon breach of contract, breach of warranty, negligence, strict liability in tort or any other legal theory. Without limiting the foregoing, WOODS shall not be liable for any damages relating to (i) lost profits, business, revenues or goodwill; (ii) any expense or loss incurred for labor, supplies, substitute machinery or rental; or (iii) any other type of damage to property or economic loss. Some states do not allow the exclusion or limitation of incidental or consequential damages, so the above limitations may not apply to you.

No agent, representative, dealer, distributor, service person, salesperson, or employee of any company, including without limitation, WOODS, its authorized dealers, distributors, and service centers, is authorized to alter, modify, or enlarge this Warranty.

HOW STATE LAW APPLIES:

This Warranty gives you specific legal rights, and you may also have other rights which vary from state to state.

QUESTIONS:

Answers to any questions regarding warranty service and locations may be obtained by contacting:

Woods Equipment Company

2606 South Illinois Route 2
Post Office Box 1000
Oregon, Illinois 61061

800-319-6637 tel
800-399-6637 fax
www.WoodsEquipment.com



ALITEC™
BMP®
CENTRAL FABRICATORS®
GANNON®
GILL®
WAIN-ROY®
WOODS®



LIMITED WARRANTY

(Mow'n Machine™ Zero-Turn Mower and
Woods Boundary™ Utility Vehicle Replacement Parts)

Woods Equipment Company ("WOODS") warrants replacement parts for Mow'n Machine™ zero-turn mowers and attachments and Woods Boundary™ utility vehicles, accessories and attachments to be free from defect in material and workmanship for a period of ninety (90) days from the date of delivery of the product to the original purchaser.

IMPLIED WARRANTIES OF MERCHANTABILITY AND/OR FITNESS FOR A PARTICULAR PURPOSE ARE LIMITED IN DURATION TO A PERIOD OF NINETY (90) DAYS FROM THE DATE OF DELIVERY OF THE PRODUCT TO THE ORIGINAL PURCHASER. Some states do not allow limitations on how long an implied warranty lasts, so the above limitation may not apply to you.

This Warranty is extended solely to the original purchaser of the product. Should the original purchaser sell or otherwise transfer the product to a third party, this Warranty does not transfer to the third party purchaser in any way. There are no third party beneficiaries of this Warranty.

This Warranty does not cover normal wear or tear, or normal maintenance items, or any damage, failure or loss caused by improper operation, improper maintenance, misuse, or an accident.

WOODS' obligation under this Warranty is limited to, at WOODS' option, the repair or replacement, free of charge, of the product if the product is defective or in noncompliance with this Warranty. **The product must be returned to WOODS with proof of purchase within thirty (30) days after such defect or noncompliance is discovered or should have been discovered, routed through the dealer and distributor from whom the purchase was made, transportation charges prepaid.** WOODS shall complete such repair or replacement within a reasonable time after WOODS receives the product.

WOODS shall not be liable for any incidental or consequential losses, damages or expenses, arising directly or indirectly from the product, whether such claim is based upon breach of contract, breach of warranty, negligence, strict liability in tort or any other legal theory. Without limiting the foregoing, WOODS shall not be liable for any damages relating to (i) lost profits, business, revenues or goodwill; (ii) any expense or loss incurred for labor, supplies, substitute machinery or rental; or (iii) any other type of damage to property or economic loss. Some states do not allow the exclusion or limitation of incidental or consequential damages, so the above limitations may not apply to you.

No agent, representative, dealer, distributor, service person, salesperson, or employee of any company, including without limitation, WOODS, its authorized dealers, distributors, and service centers, is authorized to alter, modify, or enlarge this Warranty.

This Warranty gives you specific legal rights, and you may also have other rights which may vary from state to state.

Answers to any questions regarding warranty service and locations may be obtained by contacting:

**Woods Equipment
Company**

2606 South Illinois Route 2
Post Office Box 1000
Oregon, Illinois 61061

800-319-6637 tel
800-399-6637 fax
www.WoodsEquipment.com

WOODS®

ALITEC™

BMP®

CENTRAL FABRICATORS®

GANNON®

GILL®

WAIN-ROY®

WOODS®

**Woods Equipment
Company**

2606 South Illinois Route 2
Post Office Box 1000
Oregon, Illinois 61061

800-319-6637 tel
800-399-6637 fax
www.WoodsEquipment.com

WOODS®

©2008 Woods Equipment Company. All rights reserved. WOODS, the Woods logo, and "Tested. Proven. Unbeatable." are trademarks of Woods Equipment Company. All other trademarks, trade names, or service marks not owned by Woods Equipment Company that appear in this manual are the property of their respective companies or mark holders. Specifications subject to change without notice.